

INSTALLATION & INSTRUCTIONS

INLINE EXHAUST FAN

Model No. VF-IC5 Turbo



Read this manual and follow all safety recommendation and operating instructions before operating
SAVE THIS MANUAL FOR FUTURE REFERENCE

1

READ AND SAVE THESE IMPORTANT INSTRUCTIONS



READ CAREFULLY BEFORE ATTEMPTING TO ASSEMBLE, INSTALL, OPERATE OR MAINTAIN THE PRODUCT DESCRIBED. PROTECT YOURSELF AND OTHERS BY OBSERVING ALL SAFETY INFORMATION. FAILURE TO COMPLY WITH INSTRUCTIONS COULD RESULT IN PERSONAL INJURY AND/OR PROPERTY DAMAGE!

GENERAL SAFETY INFORMATION

When using electrical appliances, basic precautions should always be followed to reduce the risk of fire, electric shock and injury to person, including the following:

WARNING: DO NOT CONNECT POWER SUPPLY UNTIL FAN IS COMPLETELY INSTALLED. MAKE SURE ELECTRICAL SERVICE TO THE FAN IS LOCKED IN OFF POSITION.

1. Read all instructions before installing or using exhaust fan.
2. Use this unit only in the manner intended by the manufacturer. If you have questions, contact the manufacturer.
3. Before servicing or cleaning the unit, switch power off at service panel and lock the service disconnecting means to prevent power from being switched on accidentally. When the service disconnecting means cannot be locked, securely fasten a prominent warning device, such as a tag, to the service panel.
4. Installation work and electrical wiring must be done by qualified person(s) in accordance with all applicable codes and standards, including fire-related construction.
5. Sufficient air is needed for proper combustion and exhausting of gases through the flue (chimney) of fuel burning equipment to prevent back drafting. Follow the heating equipment manufacturer's guideline and safety standards such as those published by the Build Code of local, and the local council regulations.

2

CAUTION: FOR GENERAL VENTILATING USE ONLY. DO NOT USE TO EXHAUST HAZARDOUS OR EXPLOSIVE MATERIALS AND VAPORS.

6. When cutting or drilling into wall or ceiling, do not damage electrical wiring and other hidden utilities.
7. This unit has rotating parts and safety precautions should be exercised during installation, operation and maintenance.
8. Guards must be installed when fan is within reach of personnel or within 2.3 meters of working level or when deemed advisable for safety.
9. NEVER place a switch where it can be reached from a tub or shower.
10. Do not insert or allow fingers or foreign objects to enter the motor.

WARNING: DO NOT USE IN KITCHENS

Safety Warnings

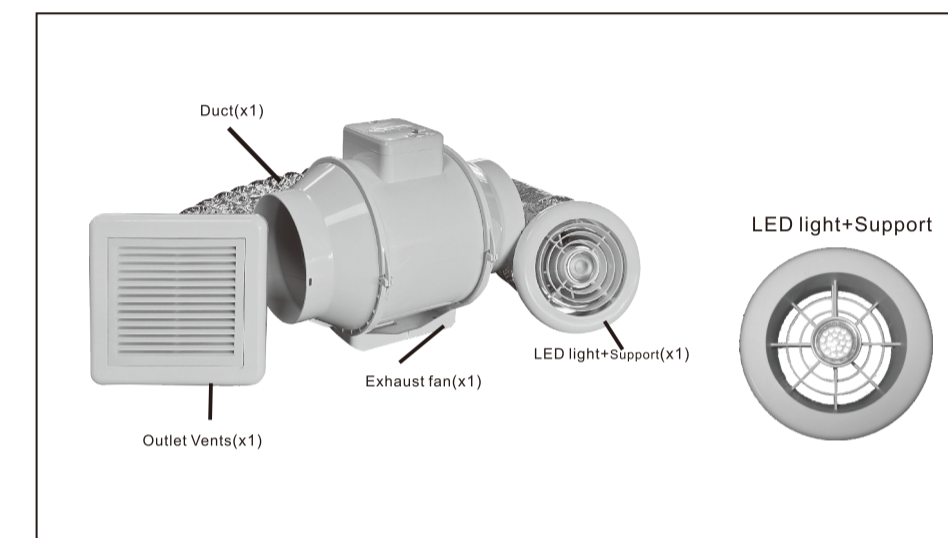
When using electrical appliances, basic precautions should always be followed to reduce the risk of fire, electric shock and injury to persons, including the following:

- To prevent fire or shock hazard, DO NOT expose this appliance to rain or moisture.
- Dangerous high voltages are present inside the motor enclosure. To avoid electric shock, DO NOT open the motor enclosure. Refer all servicing to qualified personnel only.
- Ensure the fan is not placed near drapes, curtains, or any objects that may be drawn into the fan.
- To protect against fire, electrical shock and injury to persons, do not immerse the unit, plug or cord in water or spray it with liquids.
- No naked flames sources, such as candles, should be placed on the product.
- Ventilation should not be impeded by covering the ventilation openings. Slots and opening are provided for ventilation to ensure reliable operation of the product and to protect it from overheating.

3

- Place the fan on a stable level surface when operating to avoid overturning.
- Only connect to a suitably AC 220-240V-50Hz.
- Do not operate fan in the presence of explosive and/or flammable fumes. Do not place the fan or any parts near an open flame, cooking or other heating appliance.
- Precautions must be taken to prevent backflow of gasses into the room from the open flue of gas or other fuel-burning appliances.
- Do not operate the fan with a damaged cord or plug, after a malfunction or if there is dropped or damaged in any manner.
- This appliance is not intended for use by persons (including children) with reduced physical, sensory or mental capabilities, or lack of experience and knowledge, unless they have been given supervision or instruction concerning use of the appliance by a person responsible for their safety.
- Children should be supervised to ensure that they do not play with the appliance.
- Switch the fan OFF when it is not in use, when moving fan from one location to another and before cleaning.
- Do not attempt to repair, disassemble or modify the appliance. There are no user-serviceable parts inside.

PARTS LIST



4

INSTALLATION INSTRUCTIONS

CAUTION: MAKE SURE POWER IS SWITCHED OFF AT SERVICE PANEL BEFORE STARTING INSTALLATION.

NOTE: THIS EXHAUST FAN IS FITTED WITH A SUPPLY CABLE, THUS THERE IS NO NEED TO OPEN THE FAN FOR WIRING.

NOTE: FOR BEST PERFORMANCE, THE LOCATION OF THE INLET AND OUTLET VENT SHOULD BE WITHIN 6M IN DUCT LENGTH.

Preparing for Fan Installation

1. When selecting fan mounting location, the following criteria should be considered:

- a) Mounting to minimize noise generated by fan operation: Mounting the fan as far as possible from the intake point will minimize fan operating noise from being transmitted back through the duct work. If the fan is to be used as a booster for moving the air between two rooms, a central point along the duct may be optimal.
- b) Service accessibility: Fan location should allow sufficient access for service.

Installing the Fan

Using the screws provided, Secure the fixing plastic bracket to a suitable surface, joist, or structure made for the fan.

Ensure the direction of the airflow is correct when securing the fan

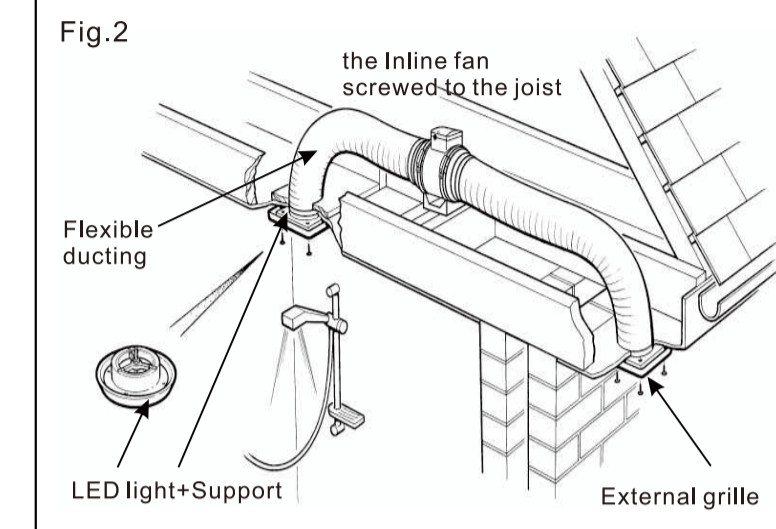
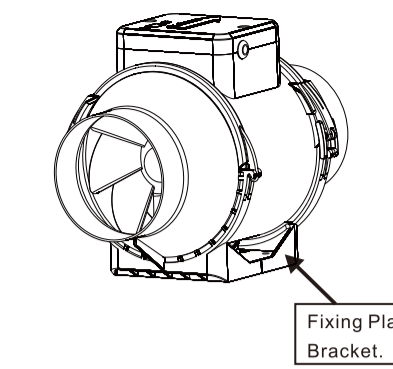
Make sure the supply cable is within reach of the mains socket outlet.
Note: Fan mounting can be at any point along the duct.

TIPS: If the outlet is to another room, then the fan should be in the middle of the duct to reduce fan noise. If the outlet vent is to outdoor, then position the fan near the outlet to prevent back draw of outdoor air.

For best performance, place the fan motor as close to the outlet as possible. These fans pull air better than they push it.

Please pay attention to the direction of airflow sticker located on the fan. (see Fig.2)

5



NOTE: Fan mounting can be at any point along the duct.

TIPS: If the outlet is to another room, then the fan should be in the middle of the duct to reduce fan noise. If the outlet vent is to outdoor, then position the fan near the outlet to prevent back draw of outdoor air.

For best performance, place the fan motor as close to the outlet as possible. These fans pull air better than they push it.

Please pay attention to the direction of airflow sticker located on the fan.

6

Installing the Inlet and Outlet Vents

1. Locate a suitable location for the inlet and outlet vents.
2. Cut a suitable hole into the vents mounting surface.
3. Remove the grill cover and then insert the vent into the hole surface and secure with screws.

For LED light support or Air valve installation

1. Hold the body of the LED light support against the wall or ceiling and mark the four screw holes and the cable entry on the side. (Use the fixing clips to secure the fan in panel walls & ceiling). See fig.1
2. Connect the Transformer to the LED light and to a suitable power supply, ideally switched live of the Extractor Fan or Bathroom lighting circuit.

NOTE: When performing the cut out hole for the inlet and outlet vents, ensure there is no electrical wiring, joist, or structural member are cut.

NOTE: For best performance, duct length between the inlet and outlet length must not be more than 6 metres.

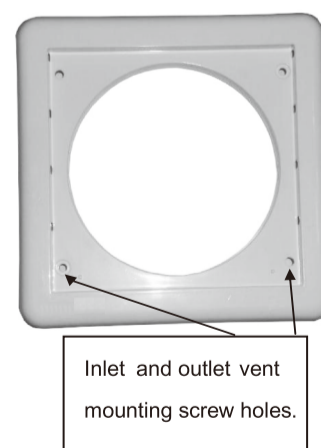
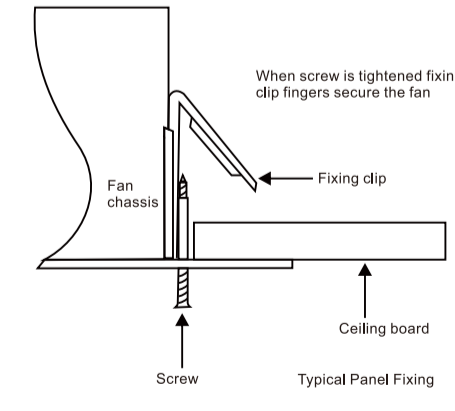


Fig.1 SIDE VIEW



Installing the duct

- 1) Cut the required two duct length and inlet vent to the fan and from the fan to the outlet vent.
- 2) Pull the duct over the fan inlet and secure with the cable ties provide. Repeat process for the inlet vent.
- 3) Repeat step 2 for the fan outlet to the vent outlet.

Note: It is recommended the duct be used in a fully extended position and with minimal amount of bends or turns. This will reduce any unnecessary friction pressure resulting in reduction of airflow.

7

IMPORTANT: The LED light must not work independently of the fan. Immediate 12V power source to the down lighter must be short-circuit proof.

- Where the installation does not permit connecting the LV leads from the lamp housing directly into the remote transformer an extended lead can be used using wiring a minimum of 1mm sq in section, the terminal block included and a standard BS6220 5 amp junction box. Terminal block not included. Installation may require advice from a qualified person.
- Place the ceiling cover onto the LED light support Chassis by locating onto the 3 lugs, and twisting anti-clockwise. Never connect mains supply direct to the LED light. Power input -12 volts AC 50VA

WARNING
Disconnect the power supply that before removing or replacing the LED light.

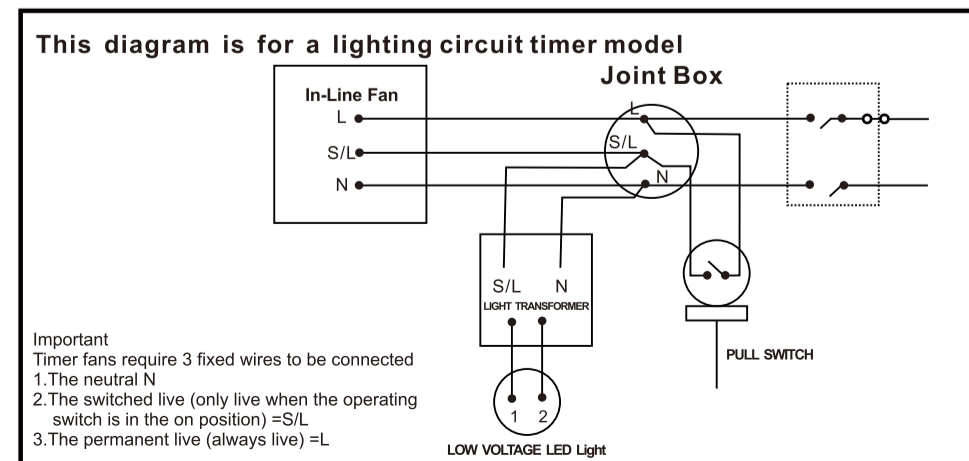
To change the LED light follow steps 1 - 2 below

1. Remove faulty LED light by pulling out of LED light housing.
2. Replace new LED light by aligning the 2 pins with the LED light holder in the LED light housing and pushing into position.

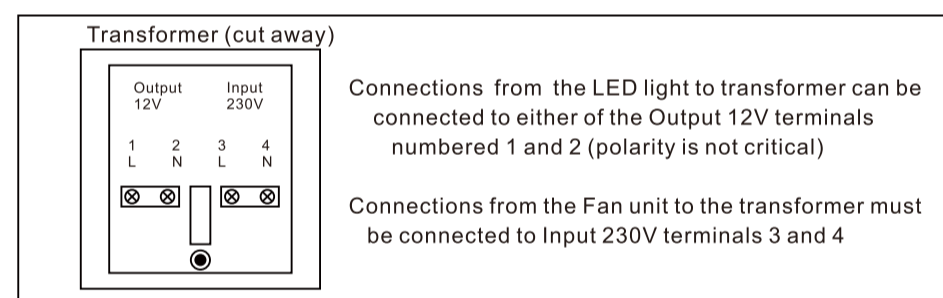
Wiring diagram

Warning: For your safety, all electrical work must be carried out by a licensed electrician. All electrical wiring must be in accordance with latest national wiring rules. Warning: Ensure the power supply to the exhaust fan is switch OFF before carrying out any installation and maintenance.

Note: A double switch must be included in the electrical wiring of the exhaust fan.



8



SPECIFICATION

Model	Rated voltage (VAC)	Input (w)	LED (w)	Air-Flow (m ³ /h)	Size (mm)
VF-IC5 Turbo	220-240	75	1.5	307	125

MAINTENANCE & SERVICE

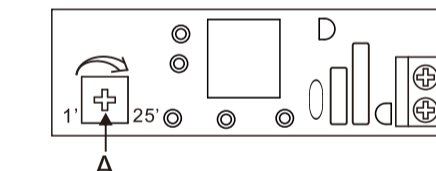
Before carrying out any maintenance, ensure the power is switched OFF from the mains power supply.

1. Wipe down the fascia and grilles with a wet soapy cloth only. Do not allow water to contact electrical part, such as motor.
2. Never use petrol, benzene, thinner or any other such chemicals for cleaning the ventilating fan.
3. Do not immerse resin parts into hot water over 60°C.
4. Do not place hot objects near or install nearby hot appliances.

9

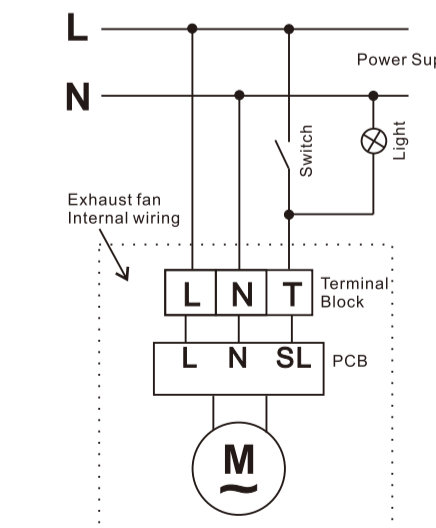
HOW TO OPERATING FUNCTIONS OF THE TIMER For model VF-IC5 Turbo

Please no/off with the switch, Fan switches off immediately when the overrun time expires after the switch has been operated. Overtime: approx. 1...25 min. (Knob:A)



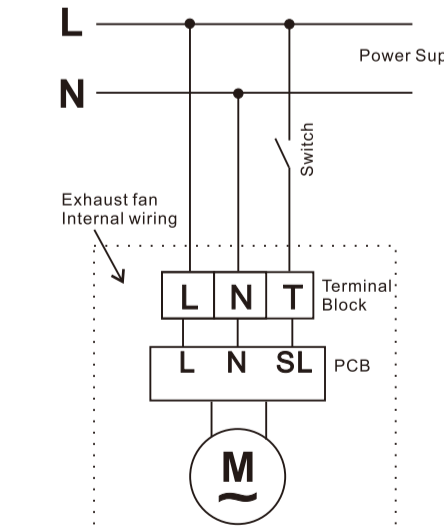
A). WITH LIGHT

TIMER or HUMIDITY WIRING CONNECTION



B). WITHOUT LIGHT

TIMER or HUMIDITY WIRING CONNECTION



10