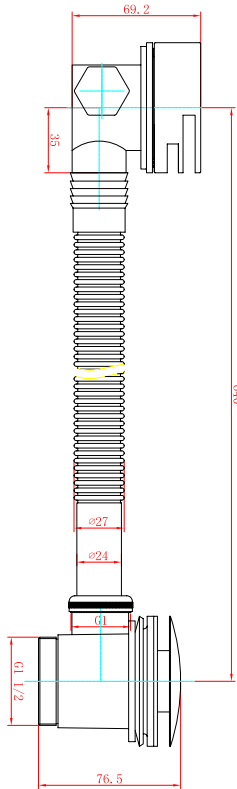
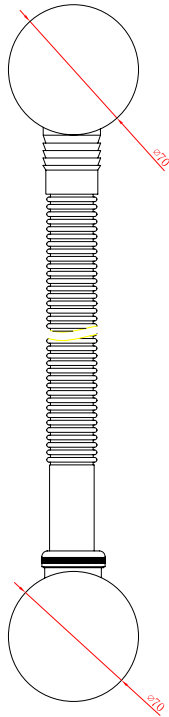


Range: Showering

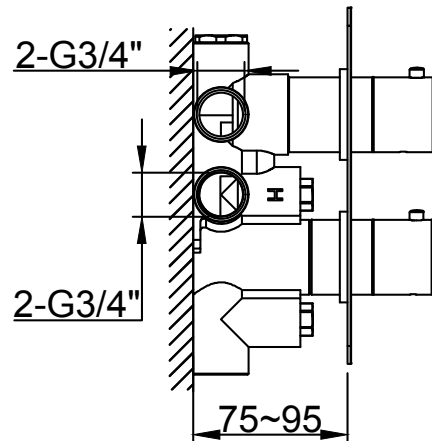
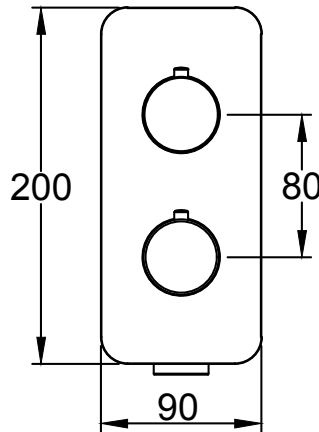
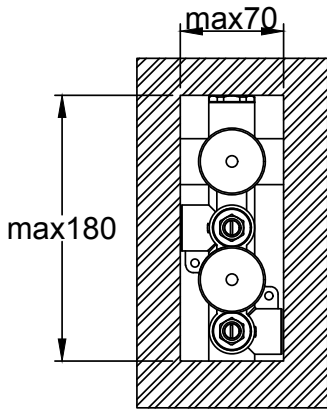
Type: Shower/Bath Suite

Code: DOC250 DOC251 DOC260 DOC261 DOC270 DOC271 DOC280 DOC281 DOC290 DOC291

Version/Date: v1 08/24



Overflow Filler



**Information:**  
High Pressure. Vernet Cartridge.

**Finishes:**

**Guarantee/Aftercare:** During installation extra care must be taken to avoid damaging the fittings. We provide a guarantee against faulty manufacture or materials (excluding serviceable parts), providing they have been installed, cared for and used in accordance with our instructions and good plumbing practice. We recommend that all brassware is installed to allow access to serviceable parts as we cannot accept responsibility in the event that access is required.

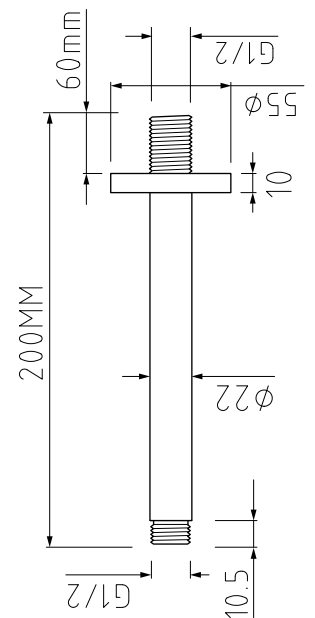
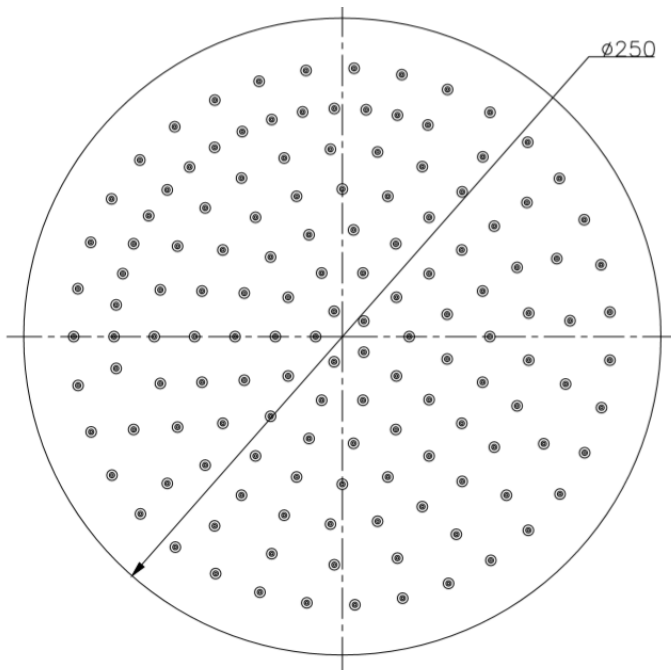
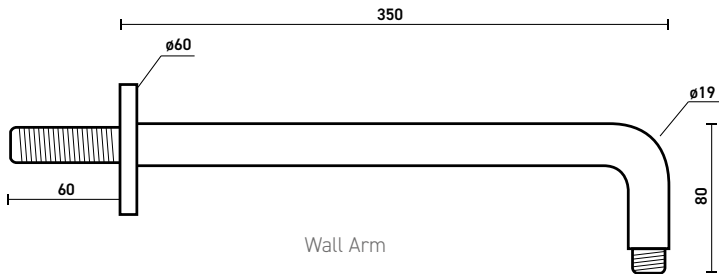
Phoenix Whirlpools Ltd. Unit 8, Leeds 27 Industrial Estate, Bruntcliffe Ave. Morley, Leeds LS27 0LL  
Tel: 0113 201 2260 Email: sales@phoenix-uk.com Web: www.phoenix-uk.com

Range: Showering

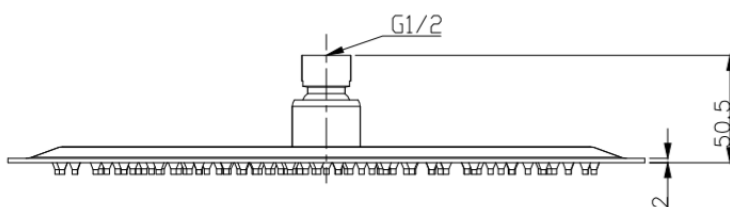
Type: Shower/Bath Suite

Code: DOC250 DOC251 DOC260 DOC261 DOC270 DOC271 DOC280 DOC281 DOC290 DOC291

Version/Date: v1 08/24



Ceiling Arm



Information:

High Pressure. Vernet Cartridge.

Finishes:

Guarantee/Aftercare: During installation extra care must be taken to avoid damaging the fittings. We provide a guarantee against faulty manufacture or materials (excluding serviceable parts), providing they have been installed, cared for and used in accordance with our instructions and good plumbing practice. We recommend that all brassware is installed to allow access to serviceable parts as we cannot accept responsibility in the event that access is required.

**Phoenix Whirlpools Ltd. Unit 8, Leeds 27 Industrial Estate, Bruntcliffe Ave. Morley, Leeds LS27 0LL**

Tel: 0113 201 2260 Email: sales@phoenix-uk.com Web: www.phoenix-uk.com