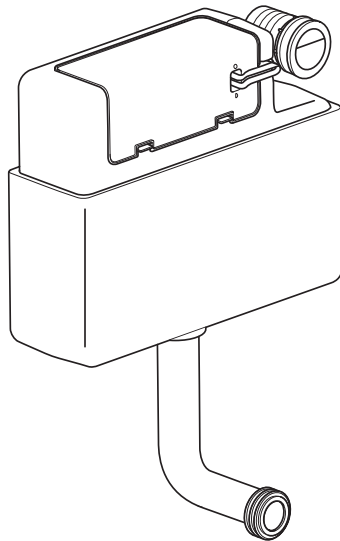
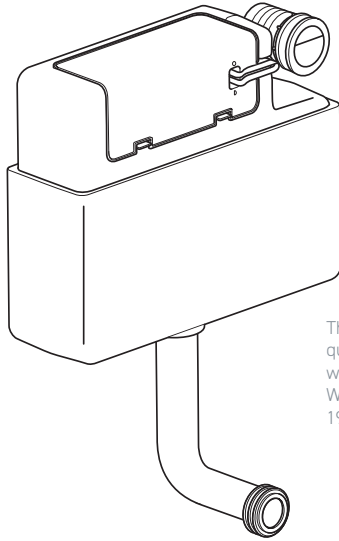


PHOENIX[®]

THE RETAIL BRAND

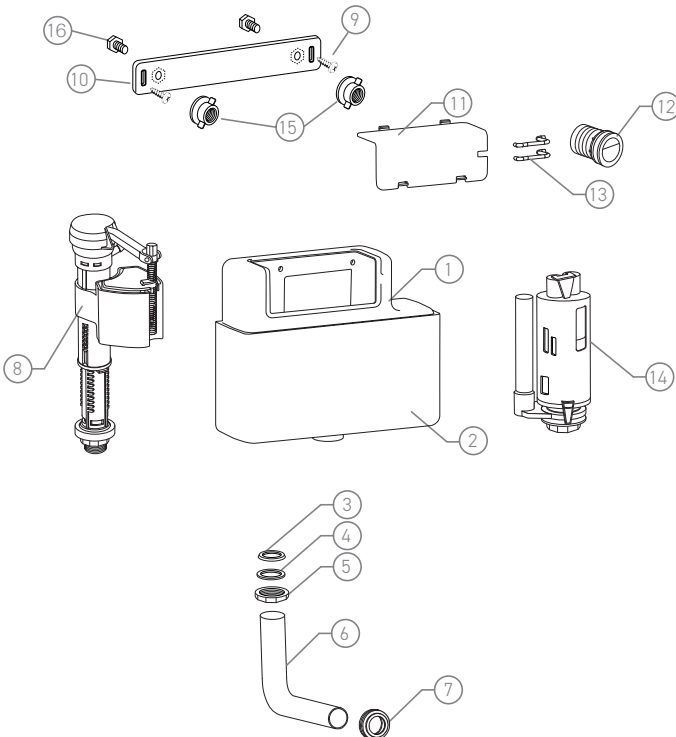
Concealed Cistern Fitting Guide





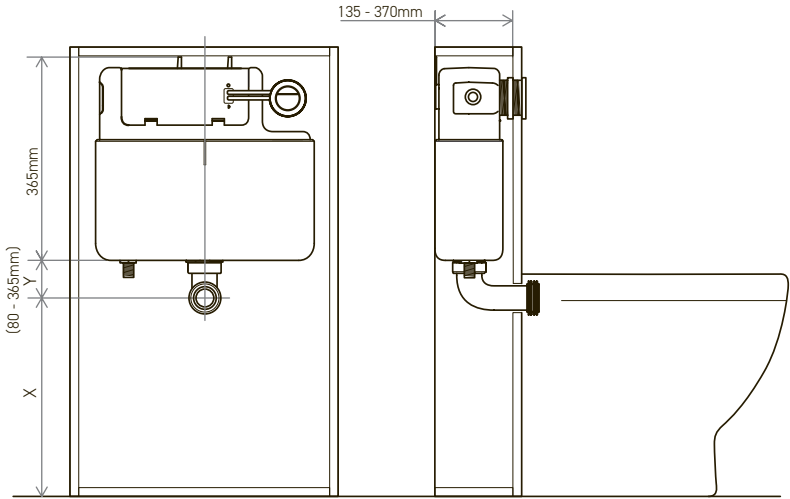
This product must be installed by a qualified fitter or plumber in accordance with and meet the requirements of the Water Supply (Water Fittings) Regulations 1999 and Scottish Byelaws 2004

Parts included

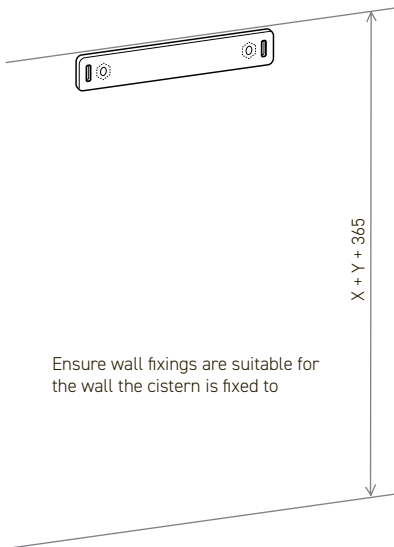


1. Cistern
2. EPS Jacket
3. Seal
4. Washer
5. Flush Bend Nut
6. Flush Bend
7. Key Seal
8. Bottom Entry Fill Valve
9. 2 x Attaching Screws
10. Attachment Plate
11. Cistern Cover
12. Pneumatic Push-button
13. Air Hoses
14. Flush Valve
15. Cistern Fixing Nuts
16. Cistern Fixing Bolts

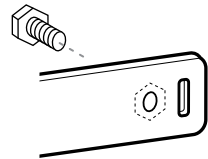
Fitting dimensions



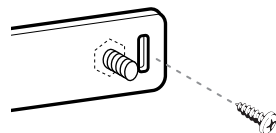
Installation



Mark fixing points

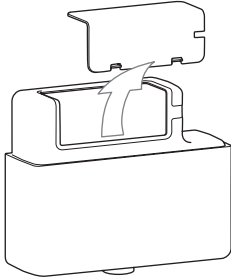


Insert Hex bolts into rear of Attachment Plate

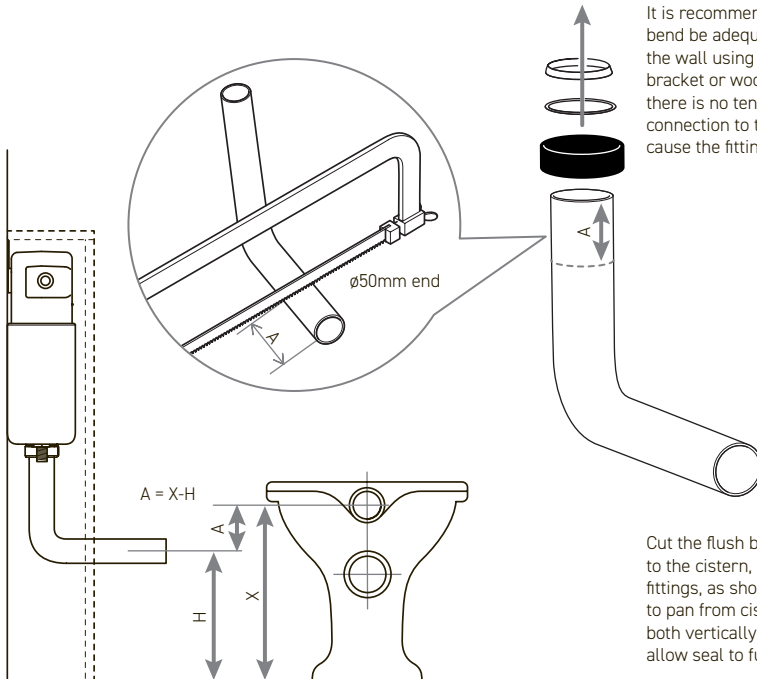
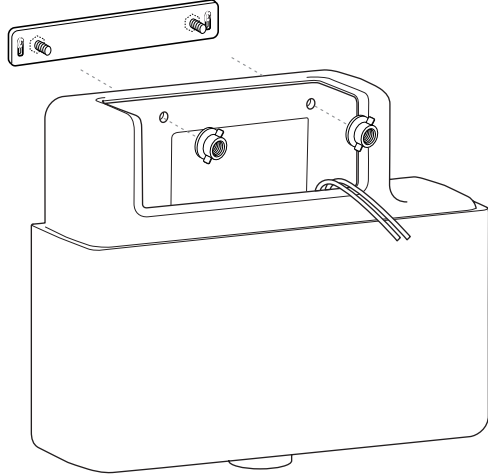


Drill appropriate holes and secure Plate in place

Remove Cistern cover

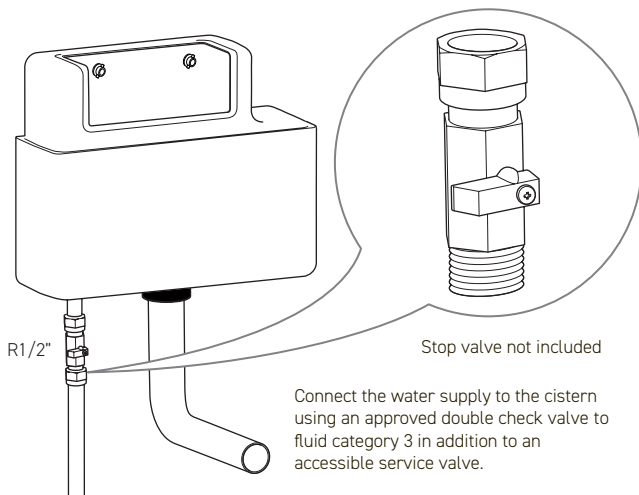


Attach the Cistern to the Attachment Plate using the Winged Nuts.

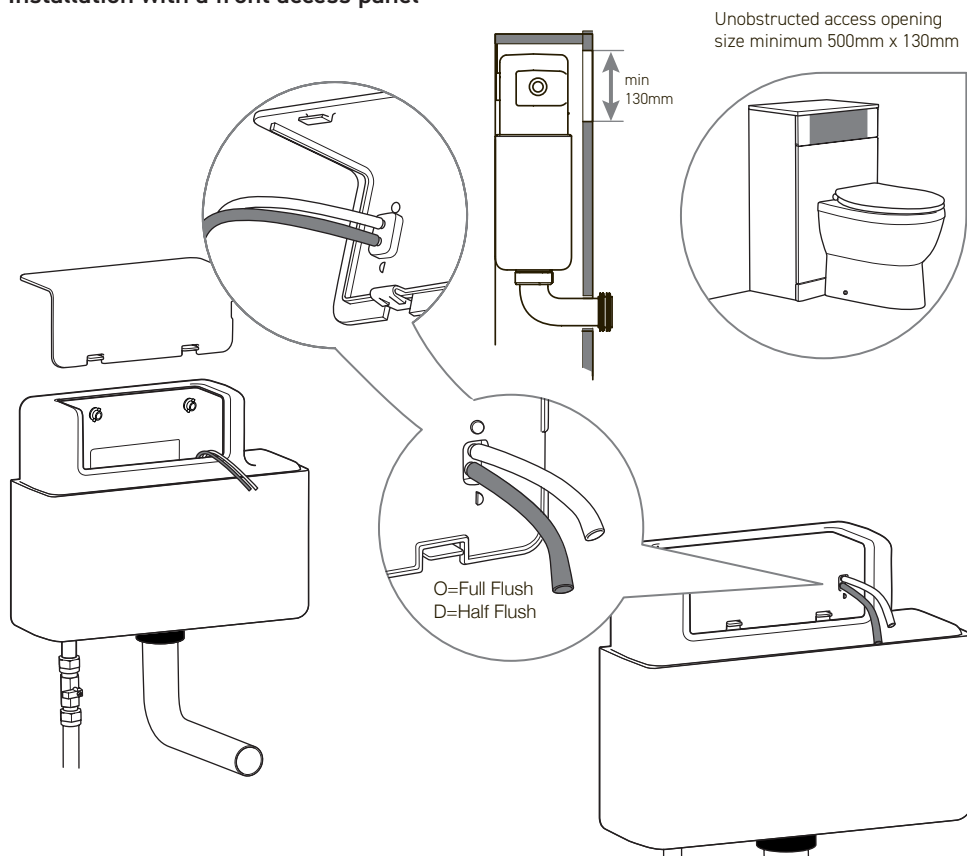


It is recommended that the flush bend be adequately braced against the wall using an appropriate pipe bracket or wooden packing. Ensure there is no tension / stress on the connection to the tank as this could cause the fittings to leak.

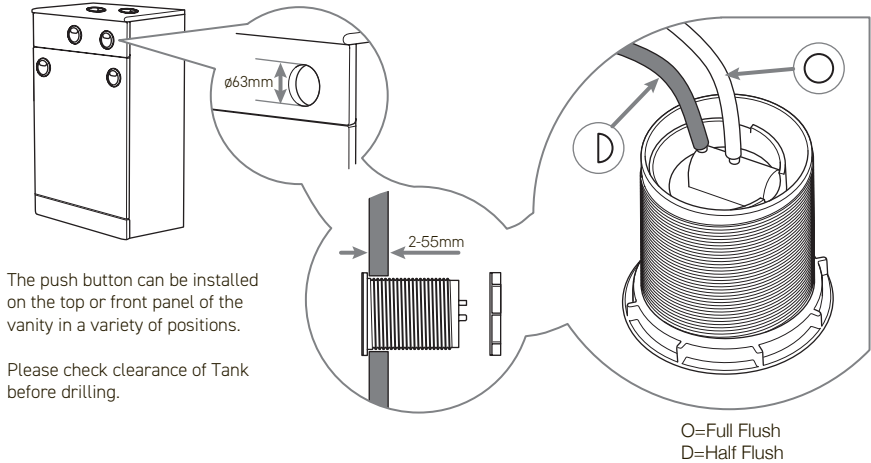
Cut the flush bend to size and attach to the cistern, using the appropriate fittings, as shown. Ensure alignment to pan from cistern tank is square both vertically and horizontally to allow seal to function correctly



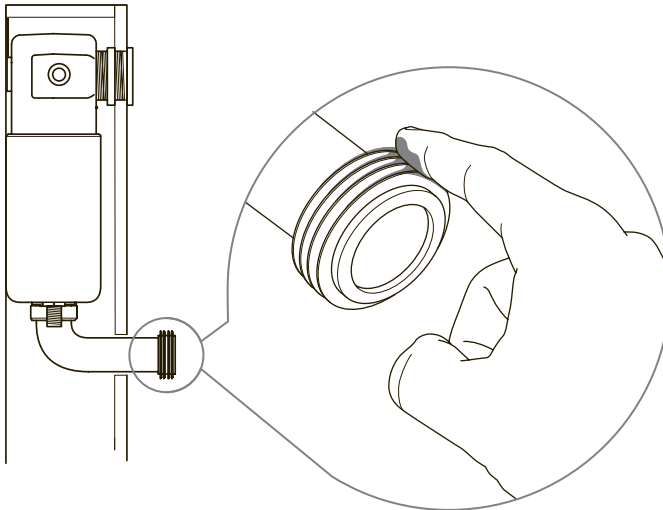
Installation with a front access panel



Installation of pneumatic push-button



Fixing the toilet

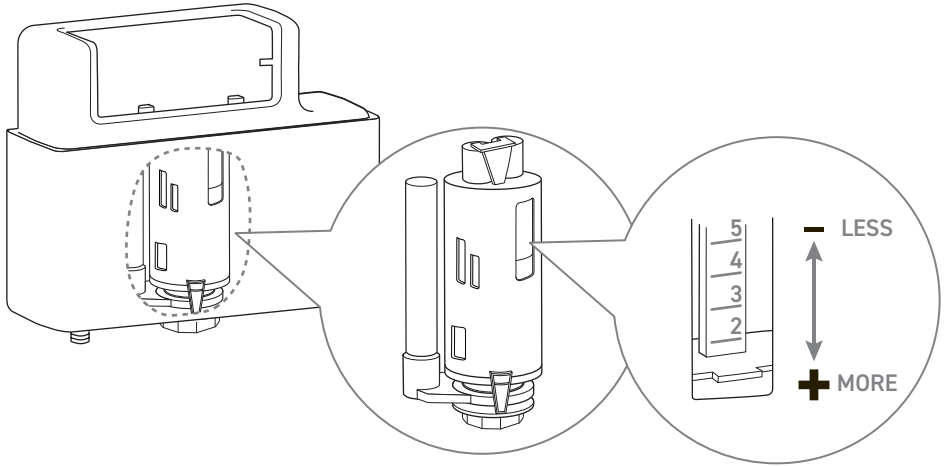


Lubricate the rubber seal before connecting to the toilet. Lubricant not supplied. Please use a suitable plumbers lubricant.

Take care when fixing the toilet. Cutting of the pipe and alignment are very important to ensure no leaks occur.

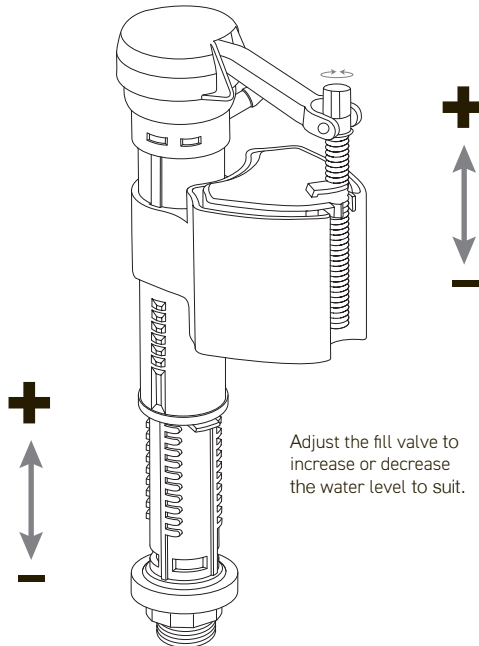
Support the flush pipe adequately when installing the toilet onto the rubber seal. Failure to do so could result in damage to the flush connection.

Adjusting the flush volume



The flushing volume can be altered by adjusting the flush valve.

Adjusting the water level



Adjust the fill valve to increase or decrease the water level to suit.

PHOENIX[®]

THE RETAIL BRAND

Wall plugs supplied are **ONLY** suitable for solid stone/brick walls. They are not suitable for use in aerated blocks or similar. If fixing to a stud wall, sufficient extra internal reinforcements must be made to the wall. Screws must locate into suitably reinforced studs and noggins.

Take care using power tools – The use of a residual current device (RCD) is recommended. Beware of hidden cables or pipes when drilling.

This product can be dangerous if installed incorrectly. This product must be installed by a qualified plumber or installer. It is the installer's responsibility to check that the fixings are suitable for the installation in hand.

Cistern fittings are suitable for Water pressure: 0.2 - 10 bar. Do not add caustic chemical substances (e.g. containing chlorine compounds or similar) into the cistern. These can damage the valve components and cause failure.

Before starting to enclose the cistern, the system must be first tested for leaks before 2nd fix commences. Temporarily fix the back to wall pan in place and make connections. Turn the water supply on and flush the pan to check for leaks. This is particularly important to do prior to tiling for fully tiled in installations

This cistern is not suitable for use with wall hung pans without the use of a suitable supporting frame.