

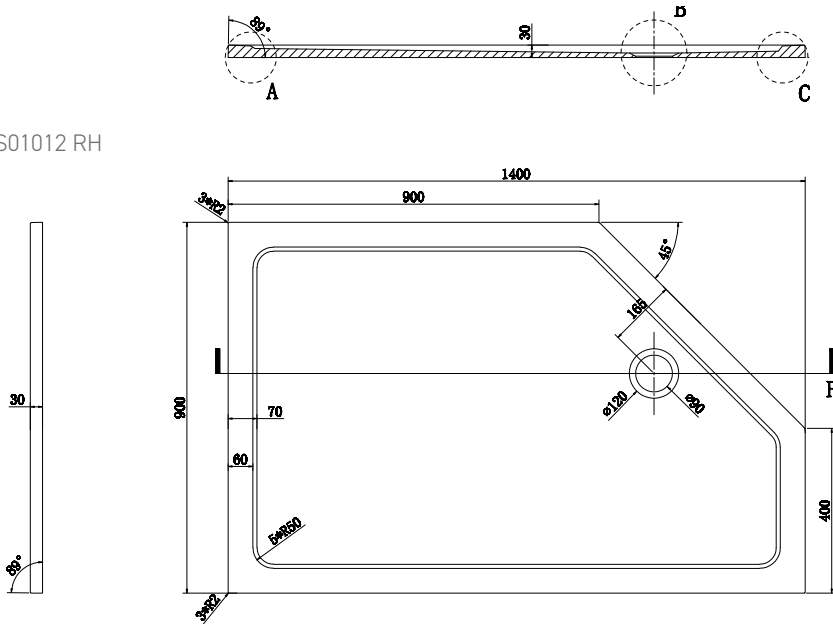
Range: Shower Enclosures

Type: Walk-In Neo Corner

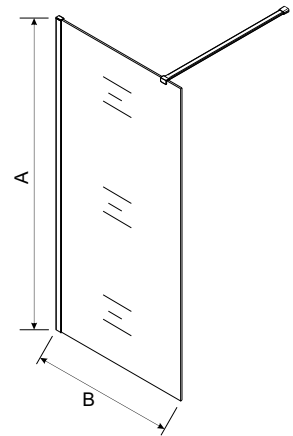
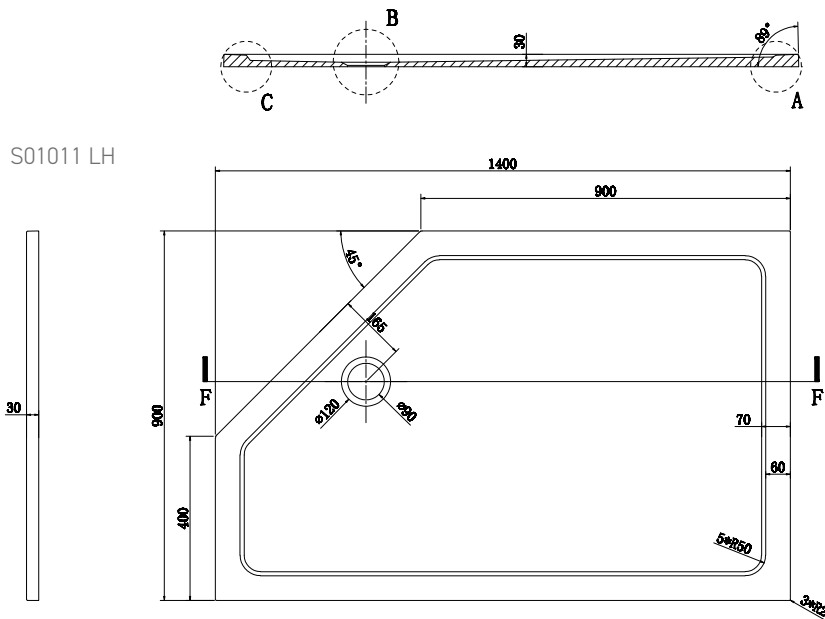
Code: S01009 S01010 B01009 B01010 G01009 G01010 Z01009 Z01010 K01009 K01010

Version/Date: v1 08/24

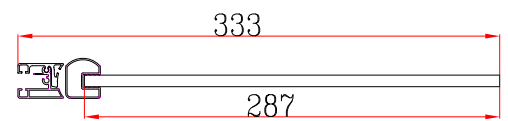
S01012 RH



S01011 LH



MODEL	A	B
SIDE PANEL	2000	330-350
FRONT PANEL	2000	830-850



Hinged Deflector

Information: Easy clean glass, Lifetime guarantee, Tempered safety glass.

Height: 200cm

10mm Safety Glass

Supplied with matching waste & support bar

Guarantee/Aftercare: During installation extra care must be taken to avoid damaging the fittings. We provide a guarantee against faulty manufacture or materials (excluding serviceable parts), providing they have been installed, cared for and used in accordance with our instructions and good plumbing practice.

Finishes:



Chrome



Matt Black



Brushed Brass



Brushed Bronze



Brushed Nickel

Phoenix Whirlpools Ltd. Unit 8, Leeds 27 Industrial Estate, Bruntcliffe Ave. Morley, Leeds LS27 0LL

Tel: 0113 201 2260 Email: sales@phoenix-uk.com Web: www.phoenix-uk.com