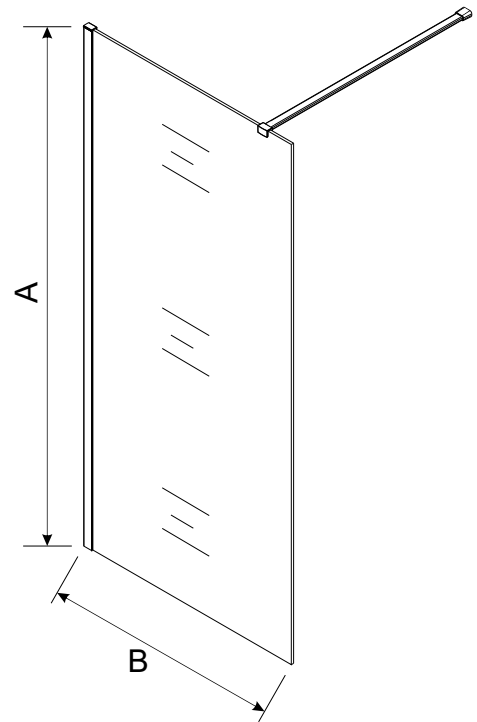


**Range:** Shower Enclosures  
**Type:** Wetroom Panels 10mm  
**Code:** MSW35 MSW50 MSW65 MSW70 MSW76 MSW80 MSW85 MSW90 MSW100 MSW110 MSW120  
**Version/Date:** v3 02/25



MODEL	A	B
SW35	2000	330-350
SW50	2000	480-500
SW65	2000	630-650
SW70	2000	680-700
SW76	2000	740-760
SW80	2000	780-800
SW85	2000	830-850
SW90	2000	880-900
SW100	2000	980-1000
SW110	2000	1080-1100
SW120	2000	1180-1200



**Information:** Easy clean glass, Lifetime guarantee, Tempered safety glass.  
Includes Support Bar, T-Connector & Corner Profile

**Guarantee/Aftercare:** During installation extra care must be taken to avoid damaging the fittings. We provide a guarantee against faulty manufacture or materials (excluding serviceable parts), providing they have been installed, cared for and used in accordance with our instructions and good plumbing practice.

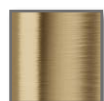
**Finishes:**



Chrome



Matt Black



Brushed Brass



Brushed Bronze



Brushed Nickel

**Phoenix Whirlpools Ltd. Unit 8, Leeds 27 Industrial Estate, Bruntcliffe Ave. Morley, Leeds LS27 0LL**

Tel: 0113 201 2260 Email: sales@phoenix-uk.com Web: www.phoenix-uk.com