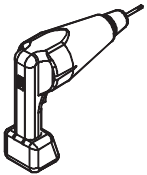
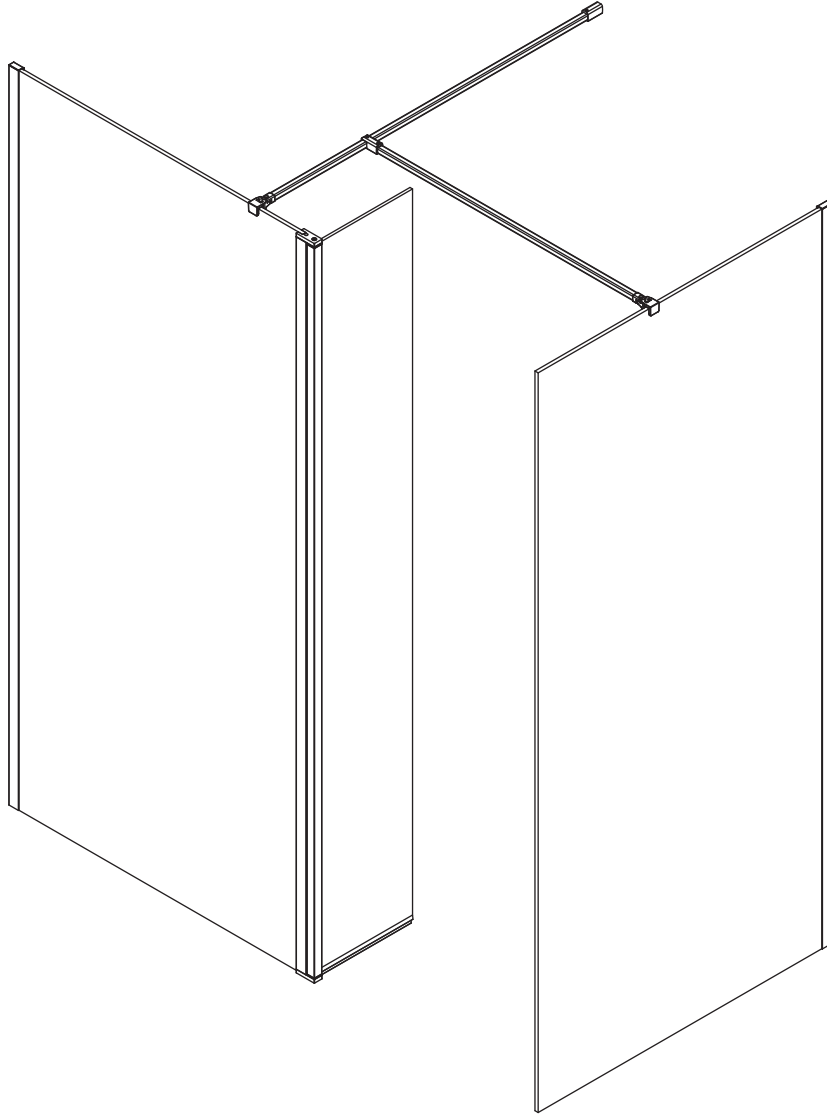
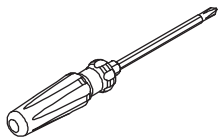


PHOENIX[®]

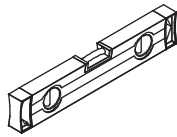
THE RETAIL BRAND



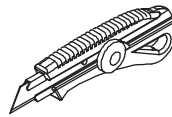
DRILL



SCREWDR



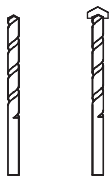
LEVEL



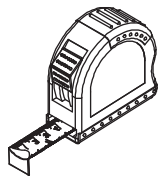
PRECISIONKNIFE



SILICONE



DRILLBITS
Ø3.2 Ø6



MEASURING TAPE



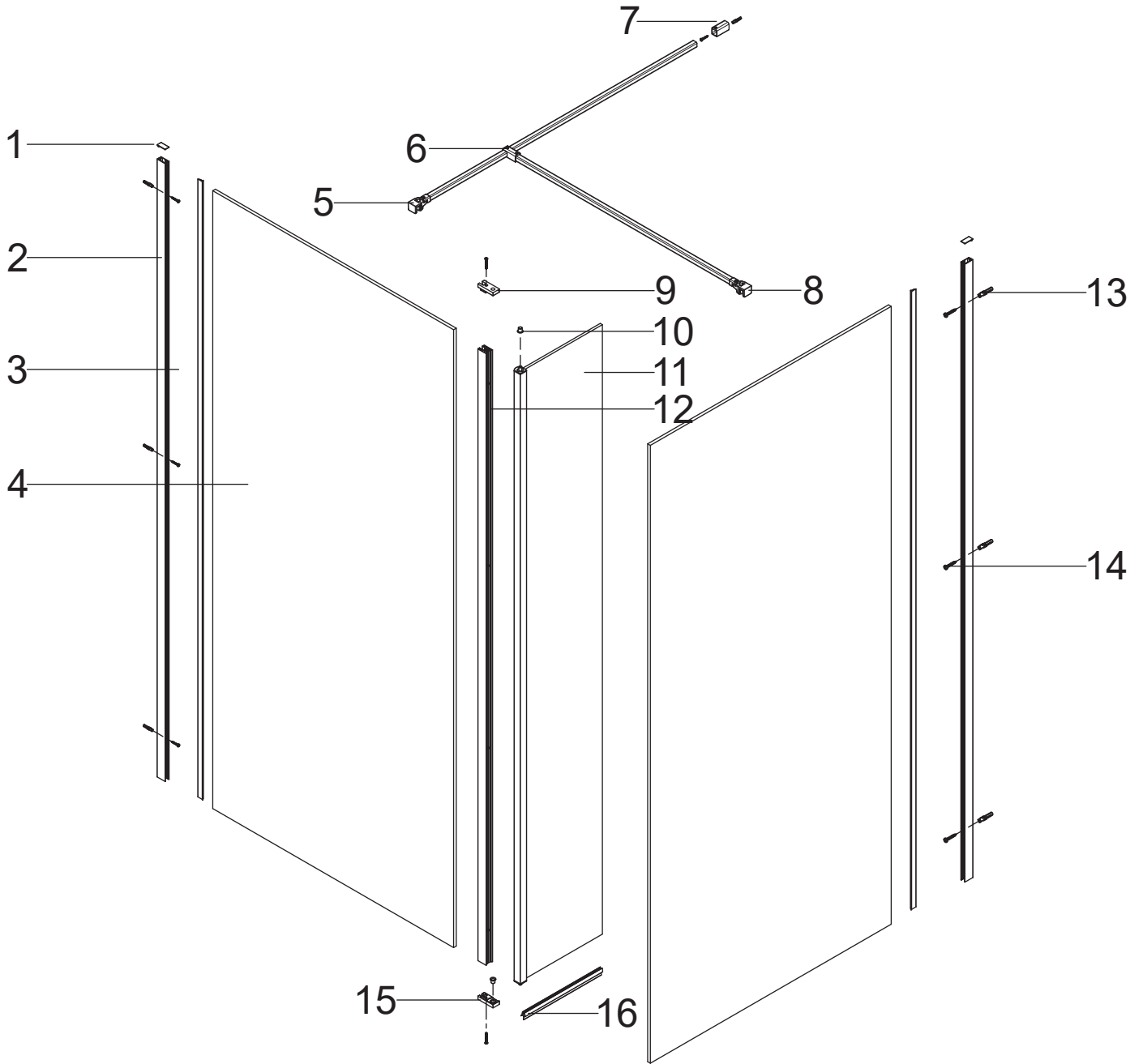
SET SQUARE



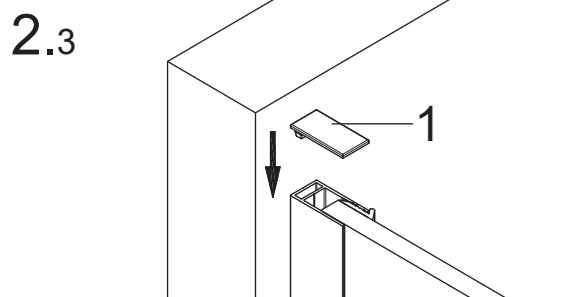
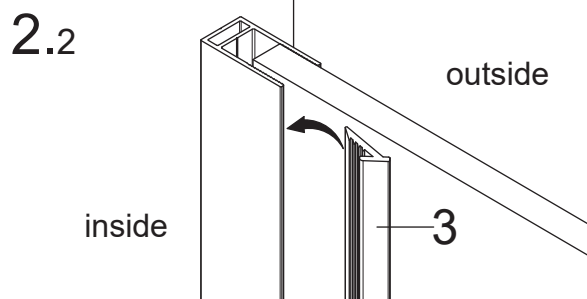
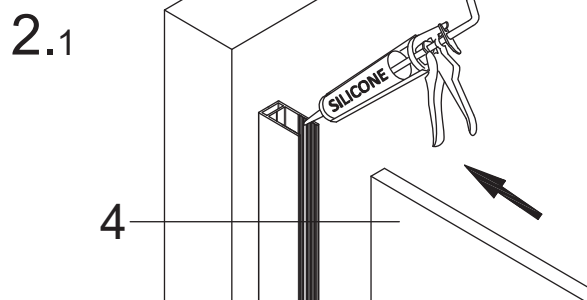
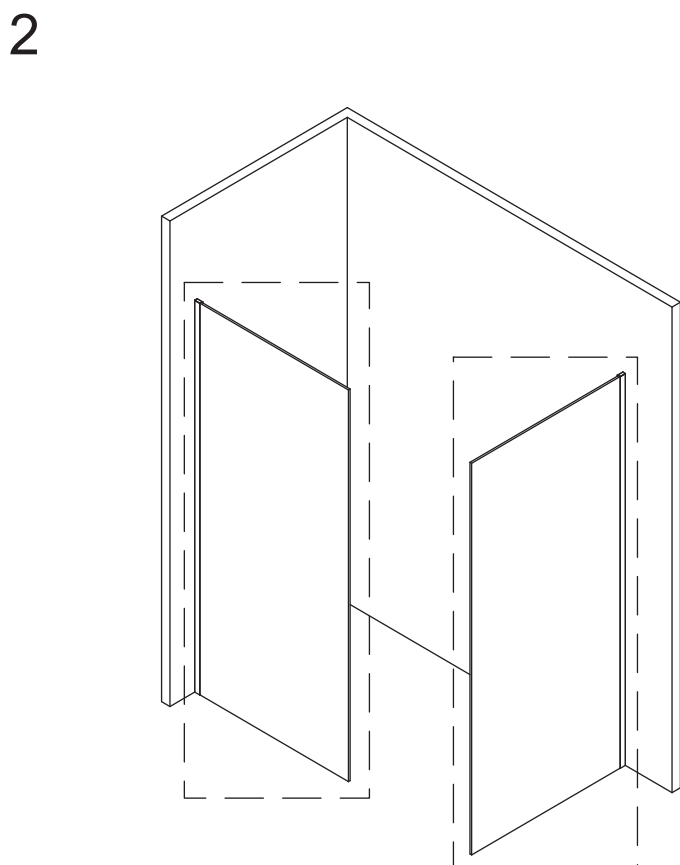
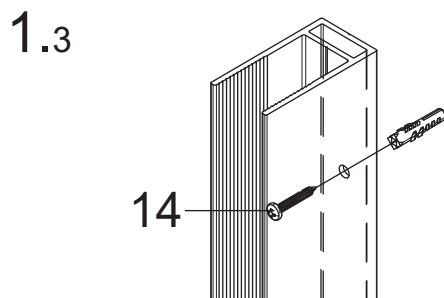
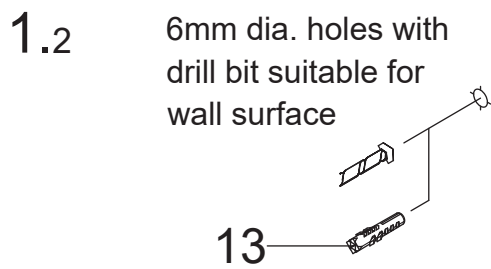
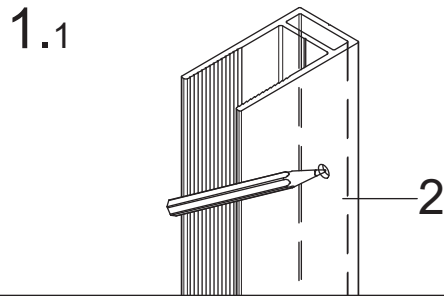
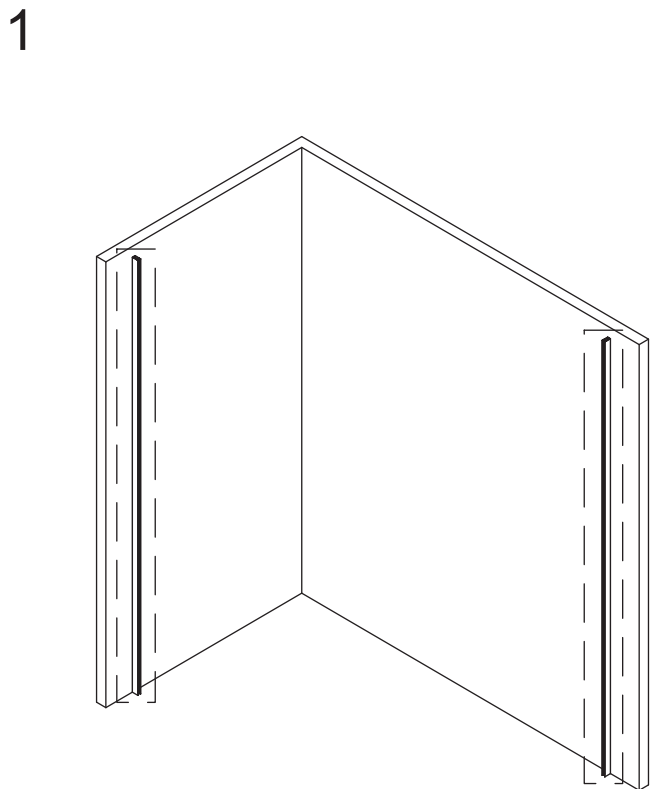
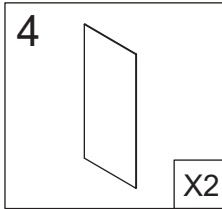
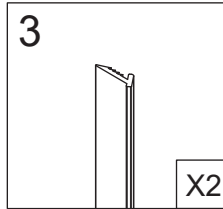
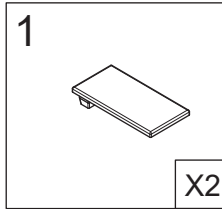
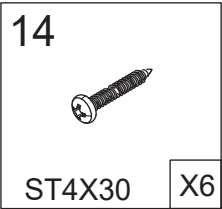
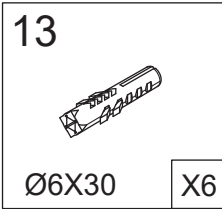
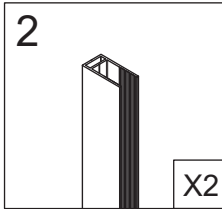
PENCIL



MALLET



1 X2	2 X2	3 X2	4 X2	5 X1	6 X1
7 X1	8 X1	9 L X1	10 X2	11 X1	12 X1
13 Ø6X30 X7	14 ST4X30 X9	15 R X1	16 X1		



10



X1

12



X1

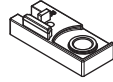
14



ST4X30

X1

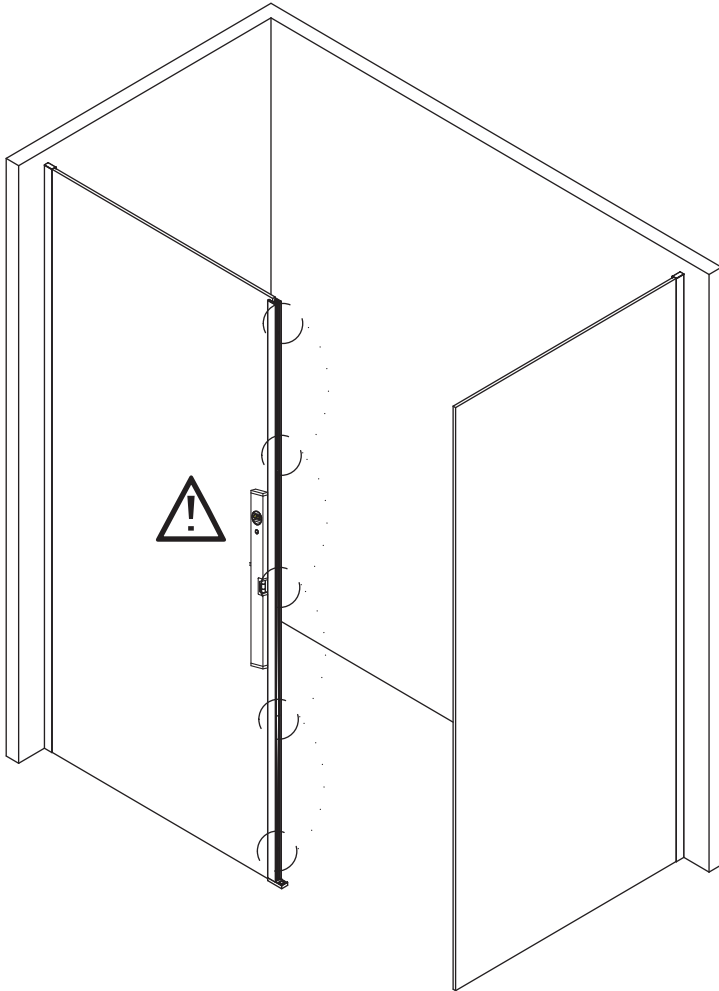
15



R

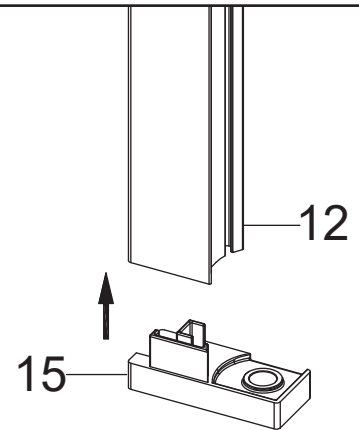
X1

3

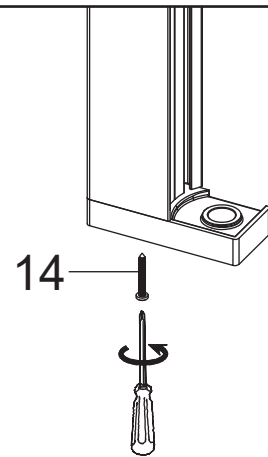


Profile installation must be leveled with a level and kept in a straight line, otherwise it will affect the rotation of the movable door

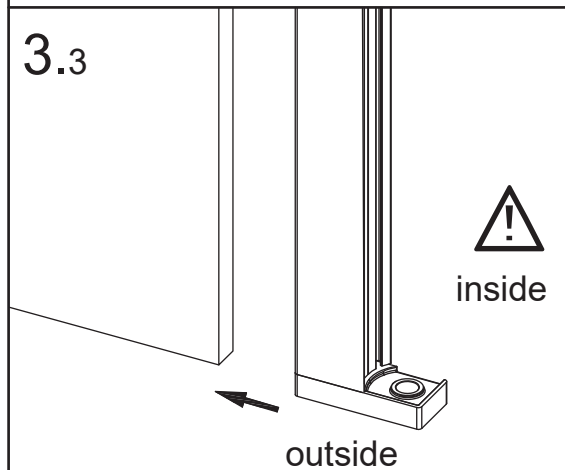
3.1



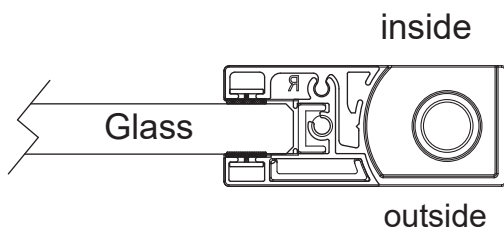
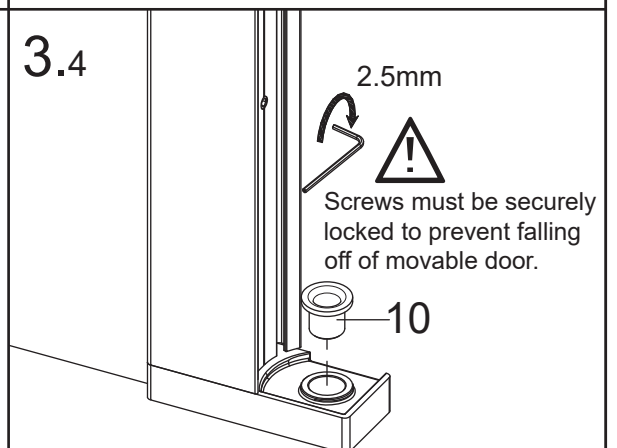
3.2



3.3

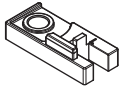


3.4



Ensure that the aluminum is fully inserted to the bottom and in contact with the glass

9



L

X1

10



X1

11



X1

14



ST4X30

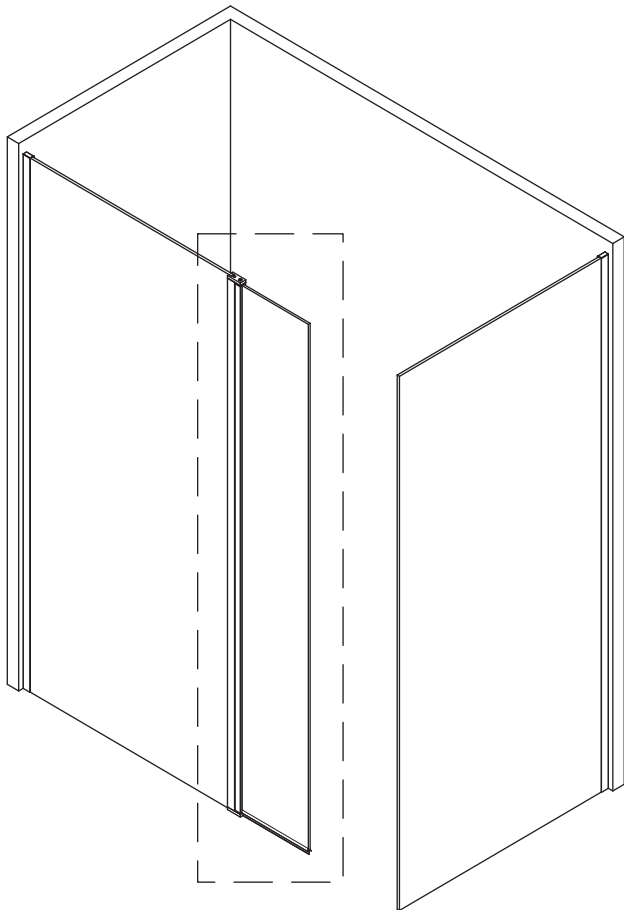
X1

16

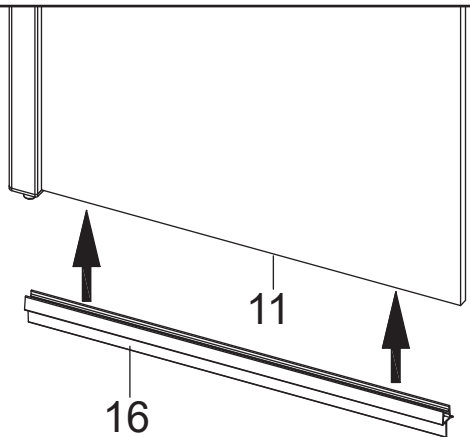


X1

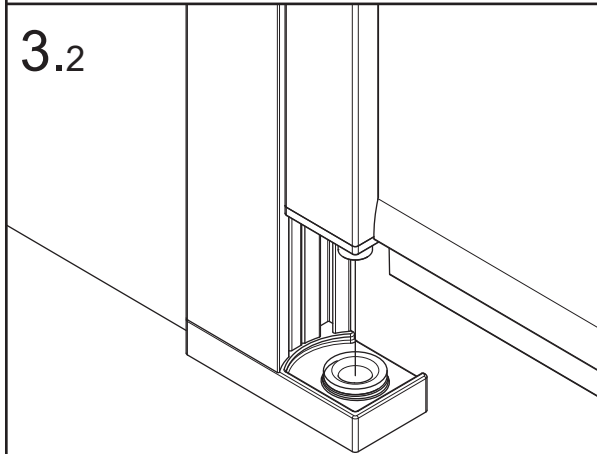
4



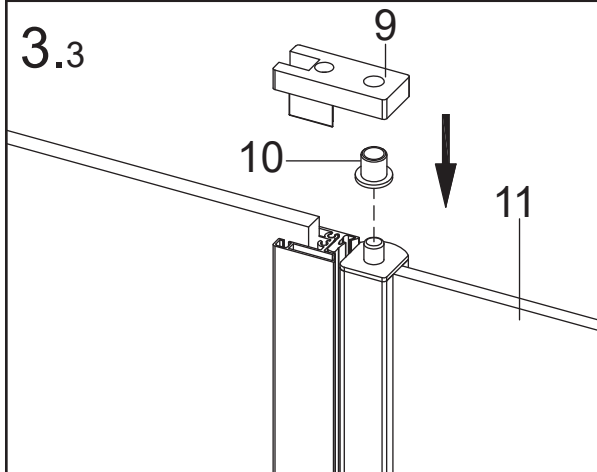
3.1



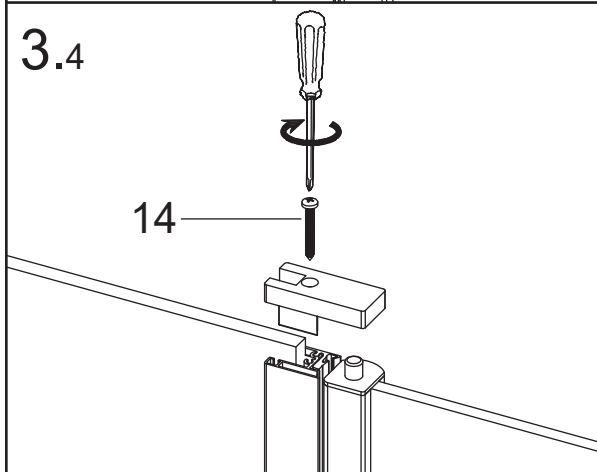
3.2

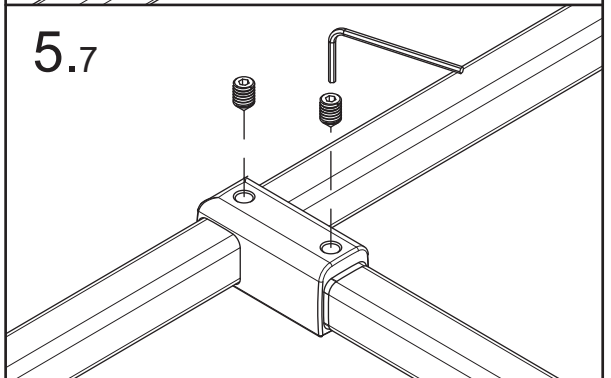
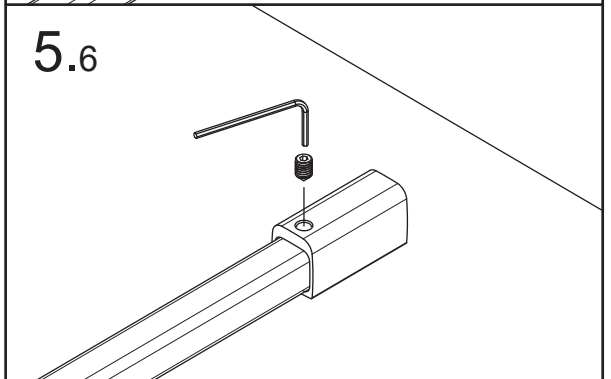
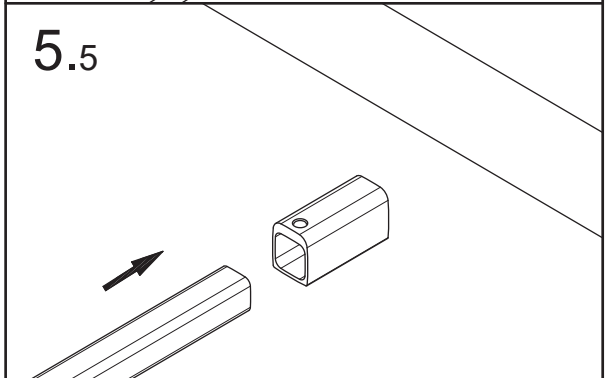
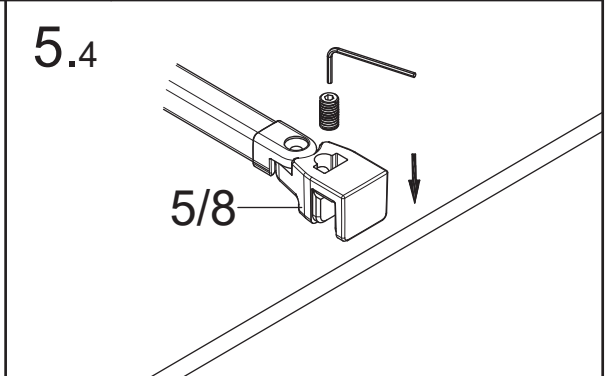
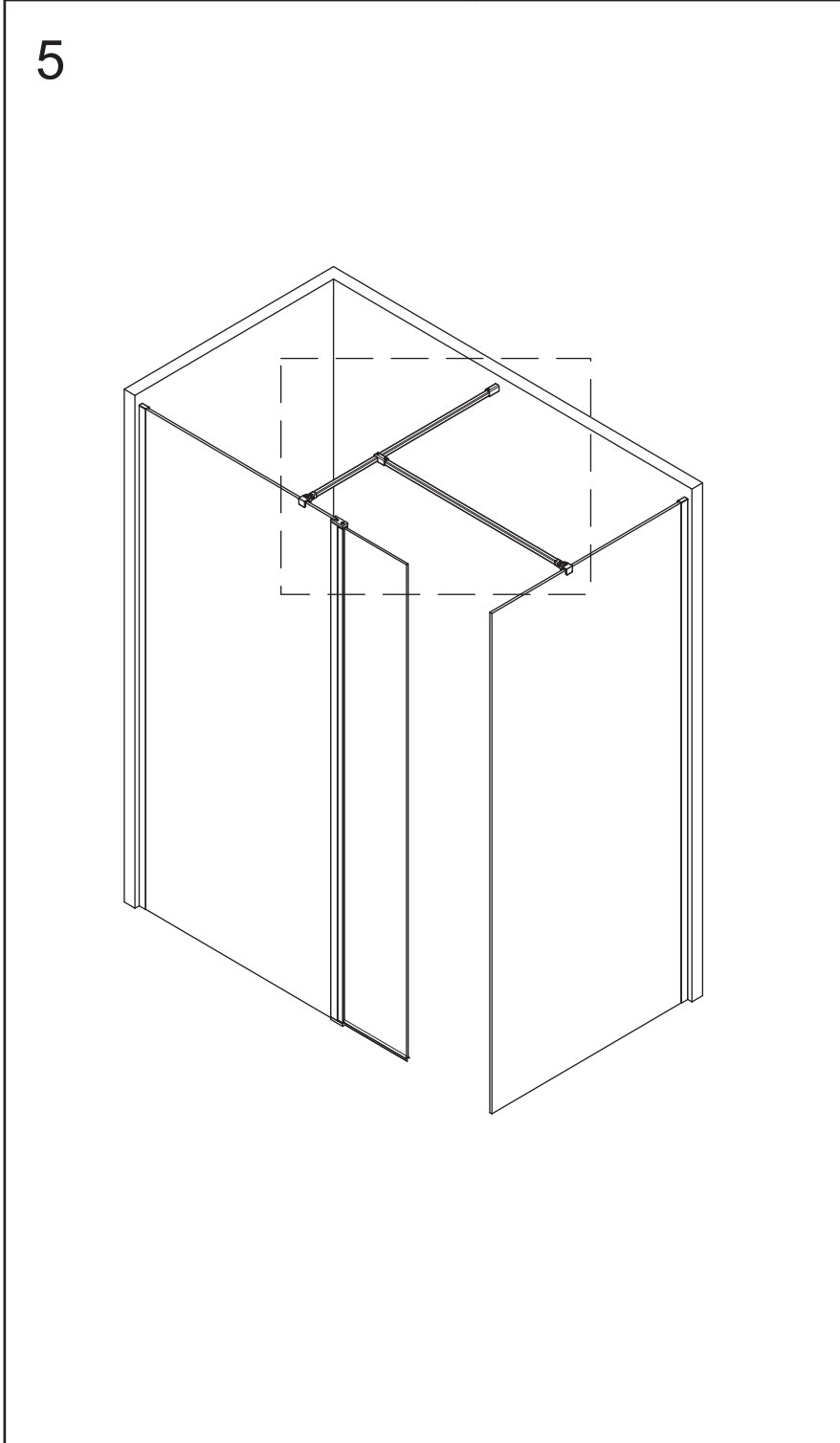
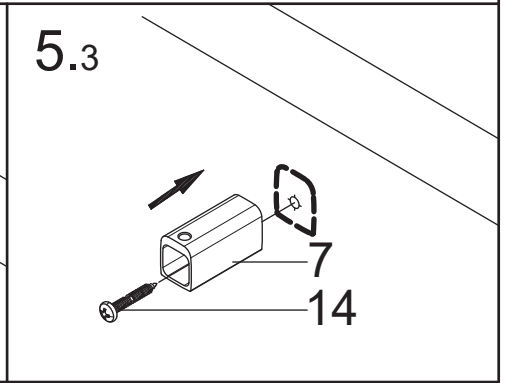
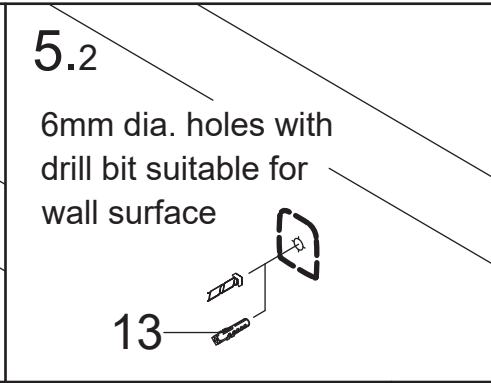
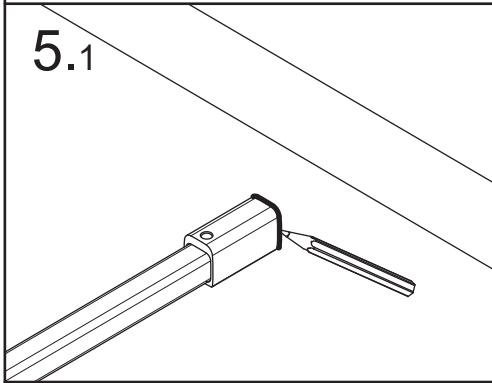
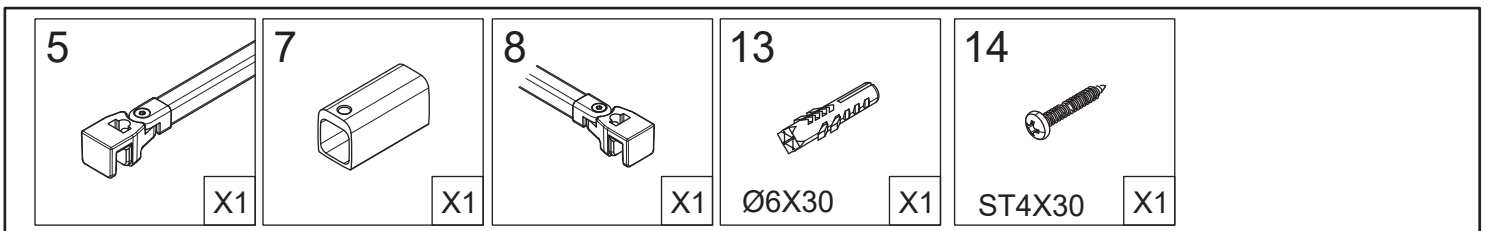


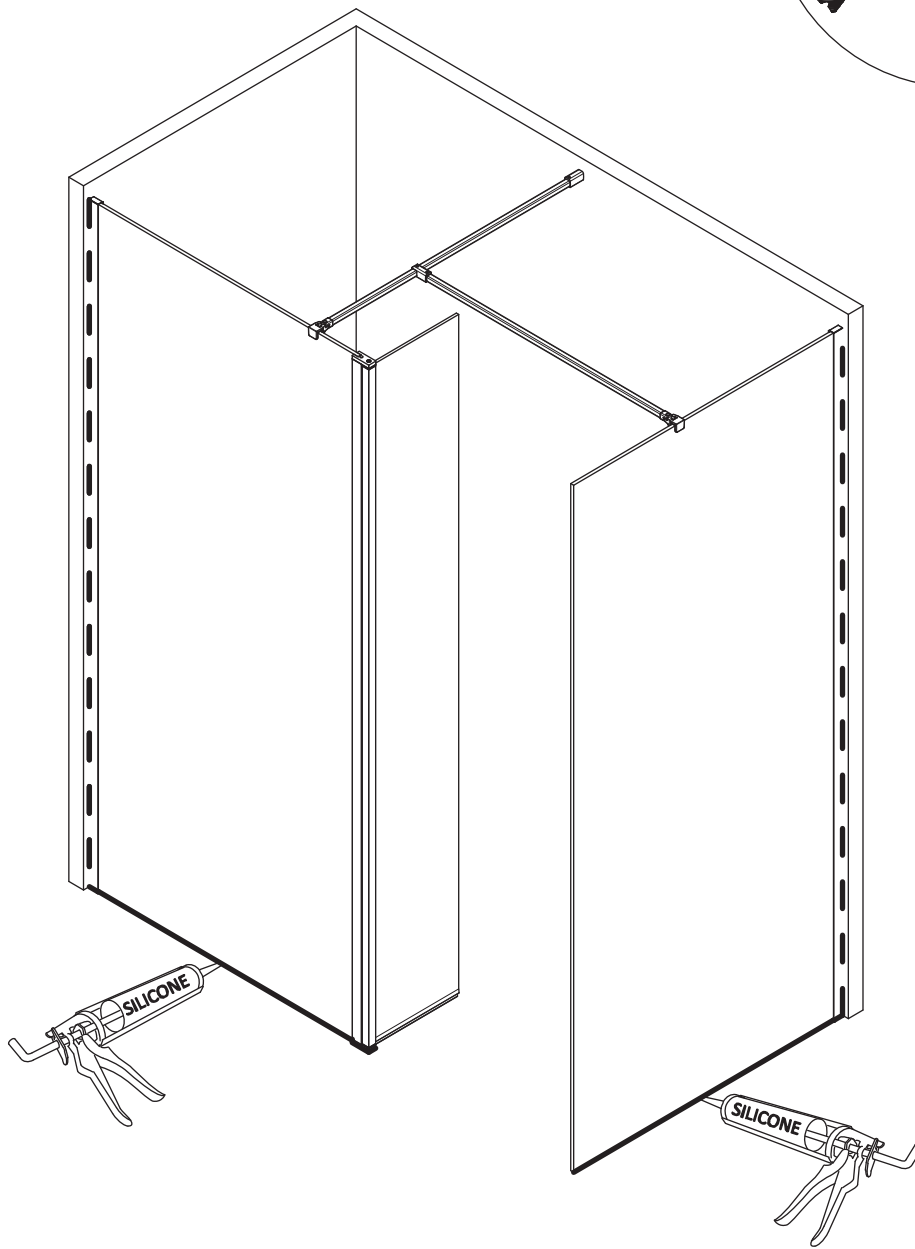
3.3



3.4







◆ General Information

Please inspect the product immediately upon receipt for transit damage, missing packs/ parts or manufacturing fault. Damage reported later cannot be accepted.

Please handle the product with care avoiding knocks and shock loading to all sides and edges of the glass.

Notes: Safety glass cannot be re-worked

Please read these instructions carefully before start of installation

Special care should be taken when drilling walls to avoid hidden pipes or electrical cables Note: This product is heavy and may require two people to install.

Aftercare instructions

After use, your shower should be cleaned with soap and water. This is particularly important in hard water areas where insoluble lime salts may be deposited and allowed to build up. Cleaners of a gritty or abrasive nature should not be used. Care should be taken to avoid contact with strong chemicals such as organic solvents and strippers.

Please keep these instructions for aftercare and customer service details