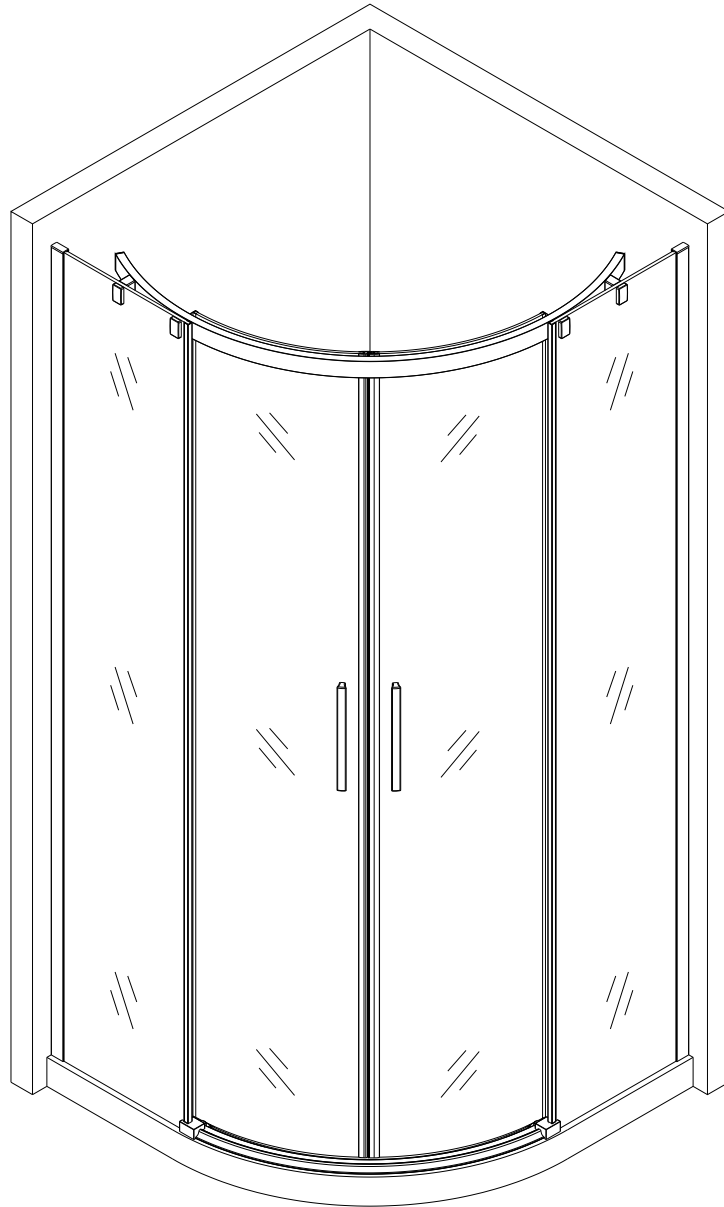


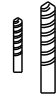
INSTALLATION MANUAL



TOOLS REQUIRED



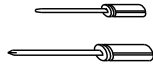
PENCIL



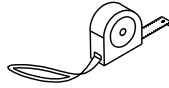
($\varnothing 6$, $\varnothing 3.2$) DRILL BIT



SILICONE & GUN



FLAT AND CROSS
HEAD SCREWDRIVERS



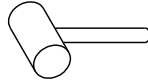
TAPE MEASURE



SPIRIT LEVEL



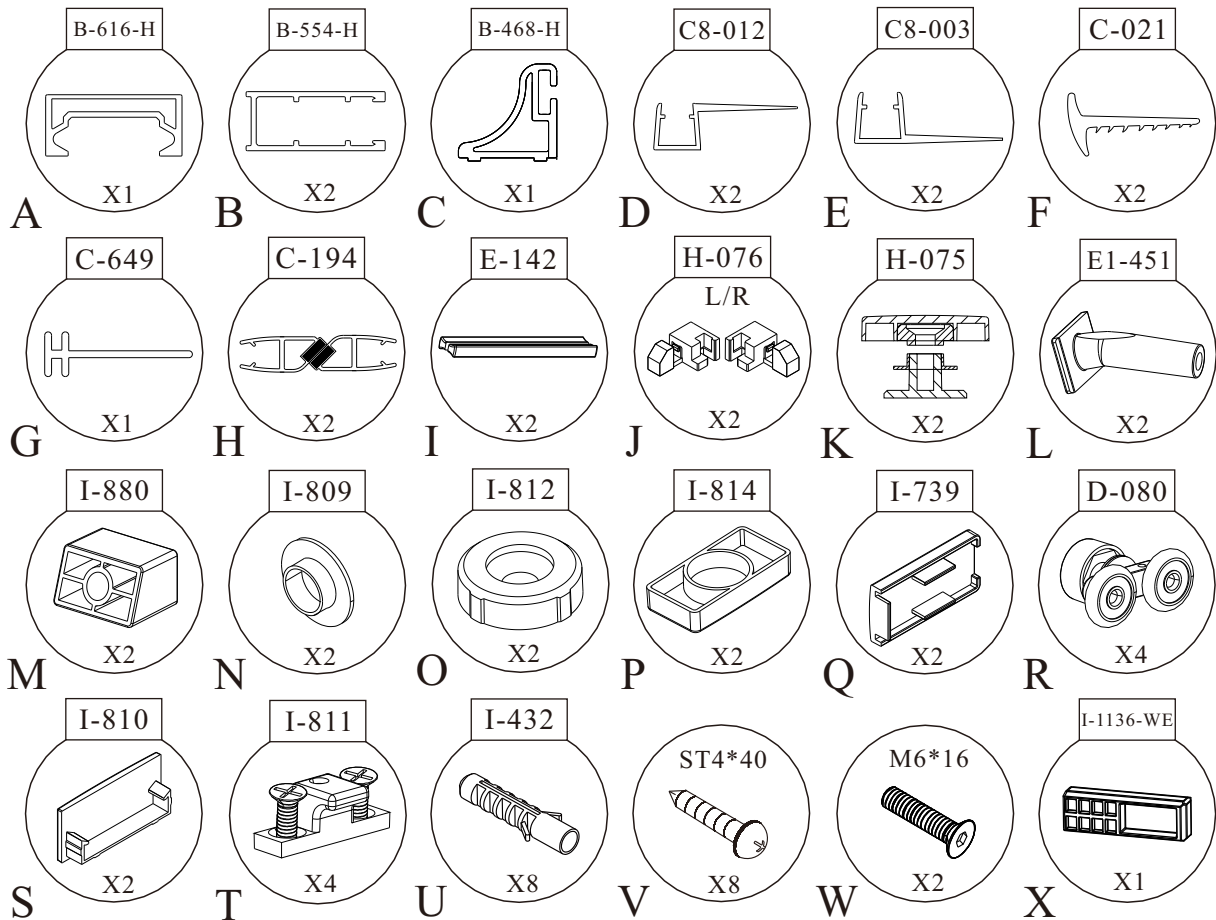
ELECTRIC DRILL



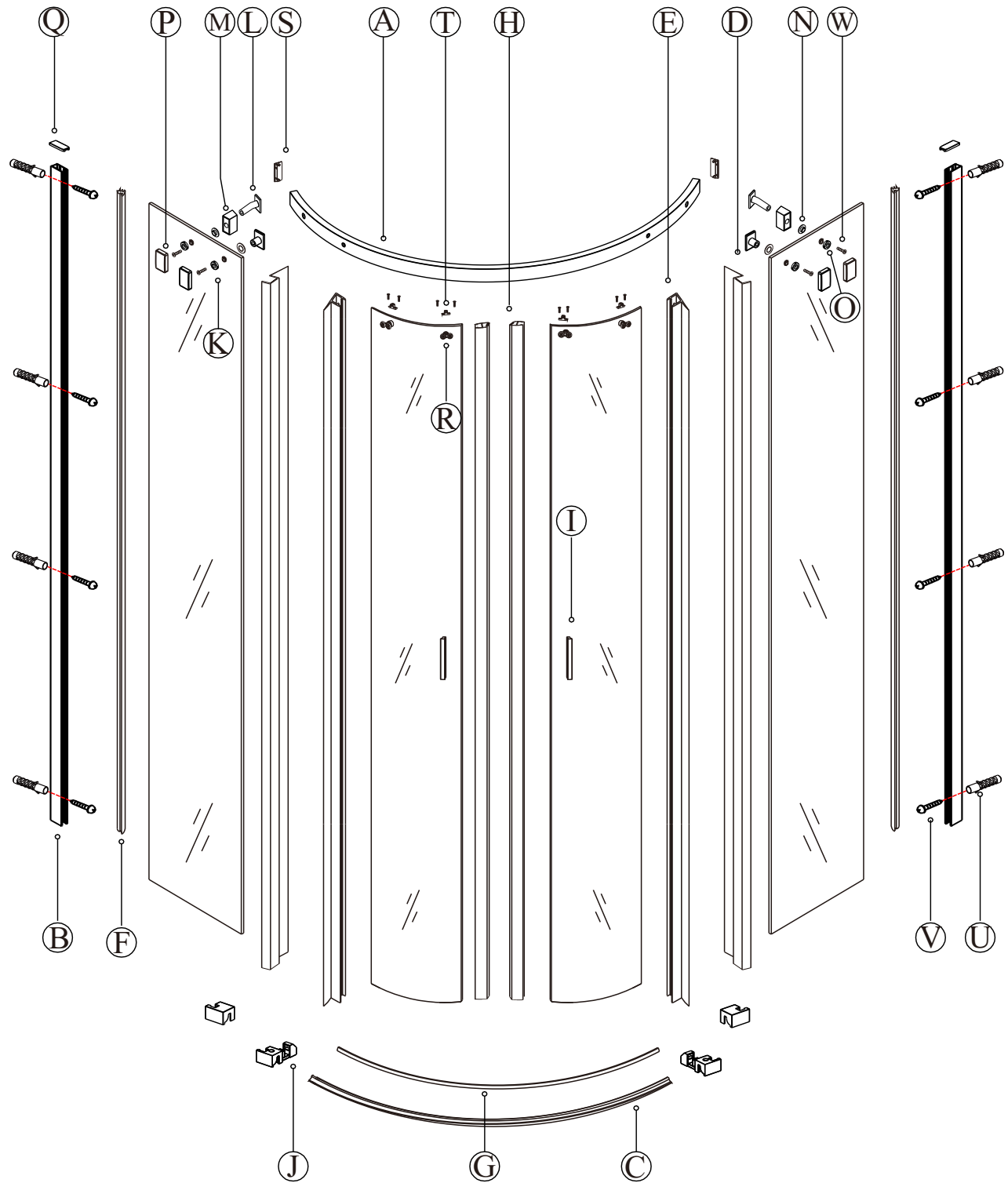
RUBBER HAMMER



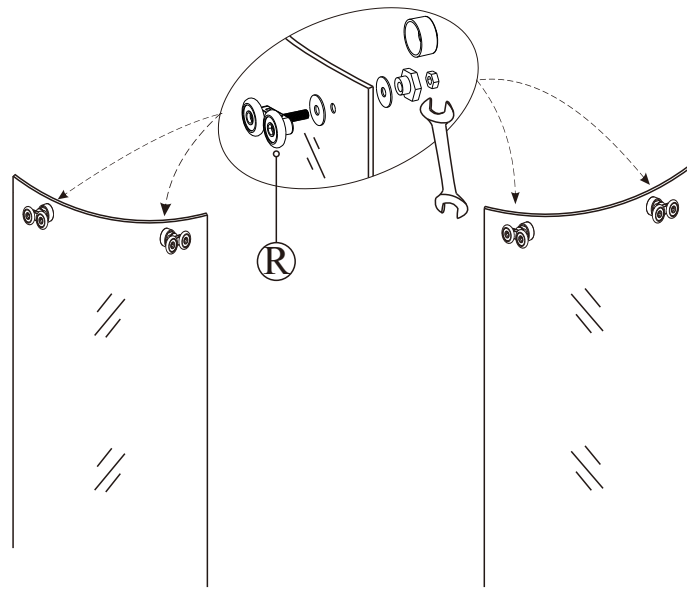
LIST OF SPARE PARTS



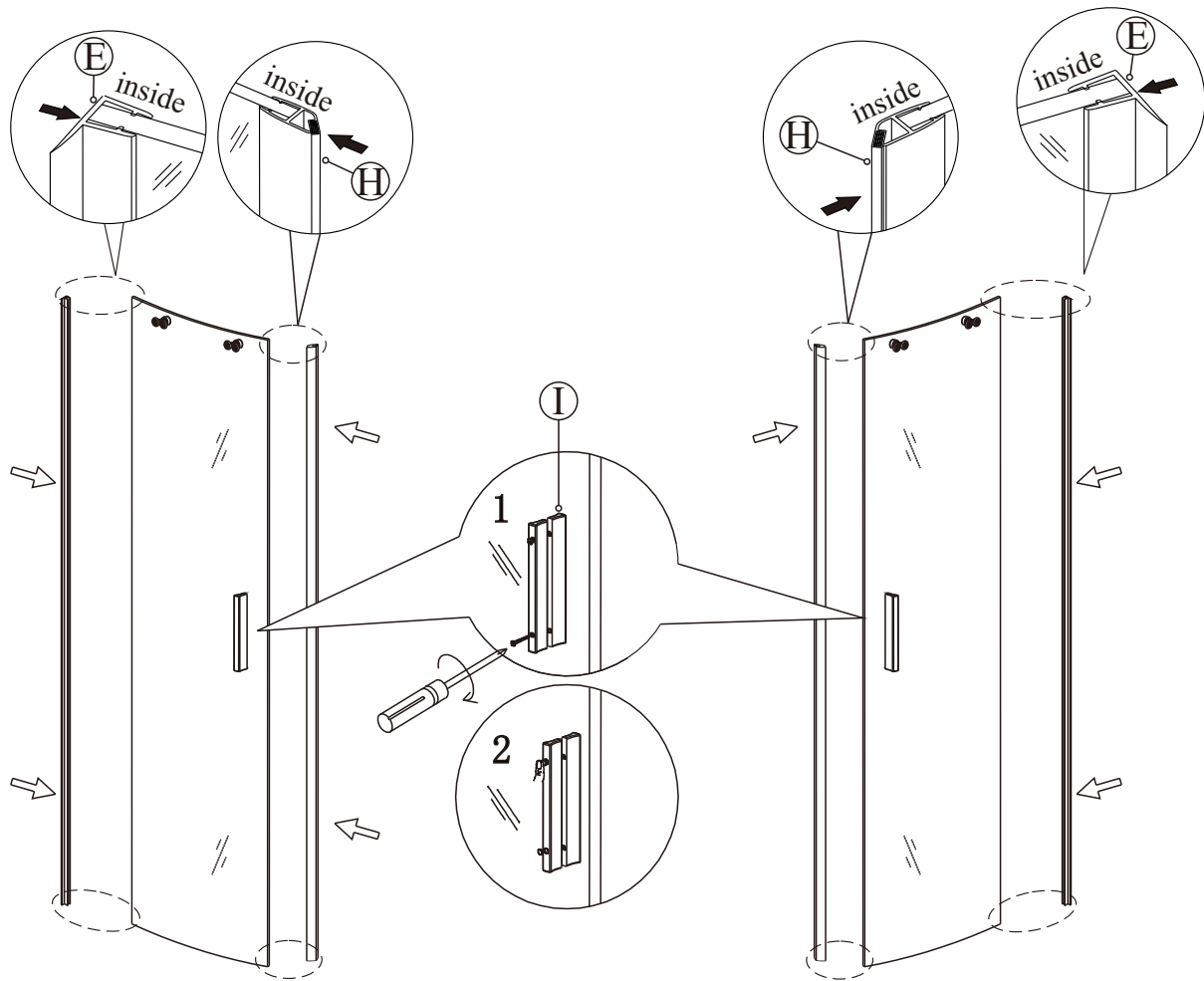
PRODUCT SCHEMATIC DIAGRAM



1

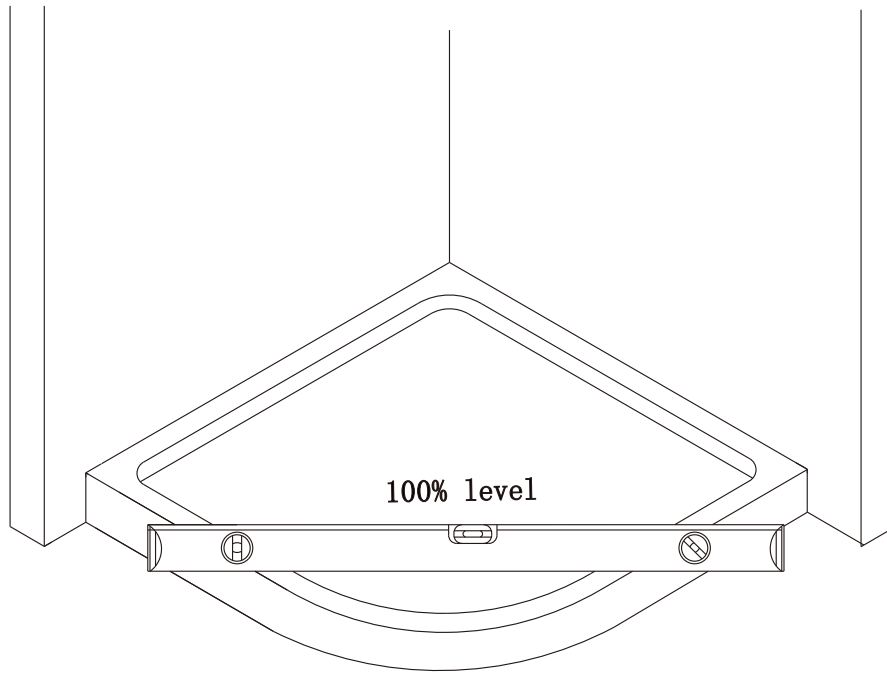


2

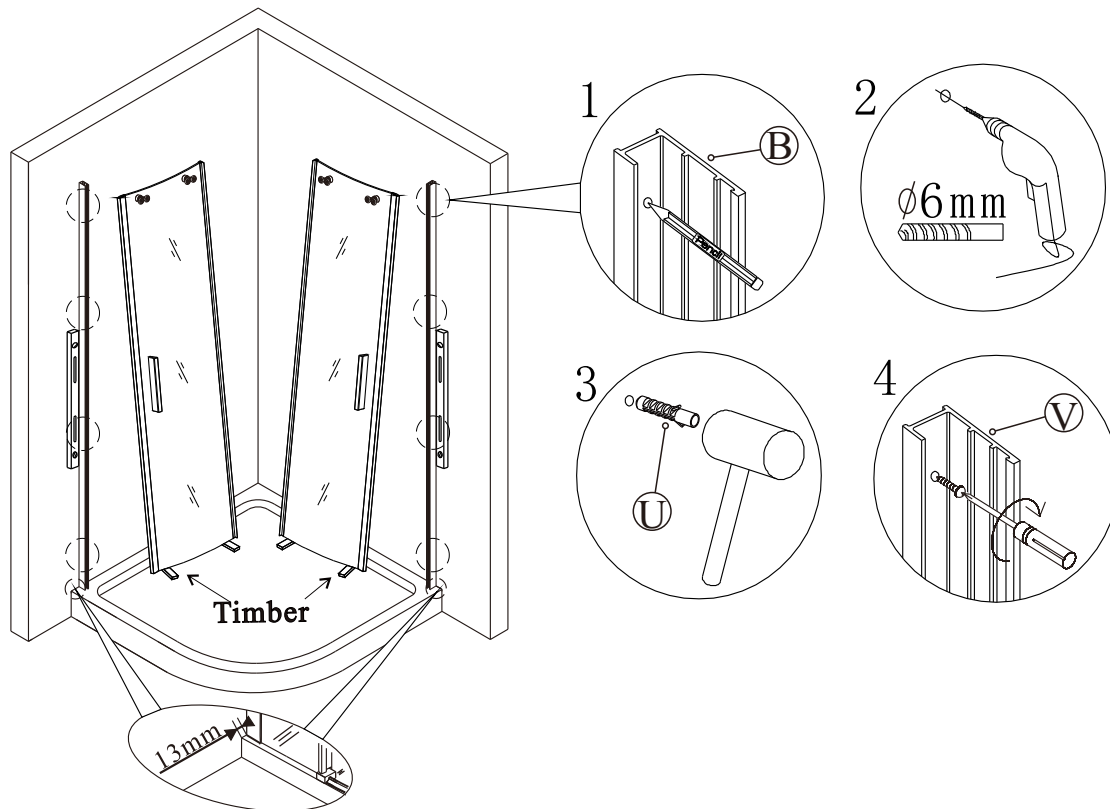


(3)

3

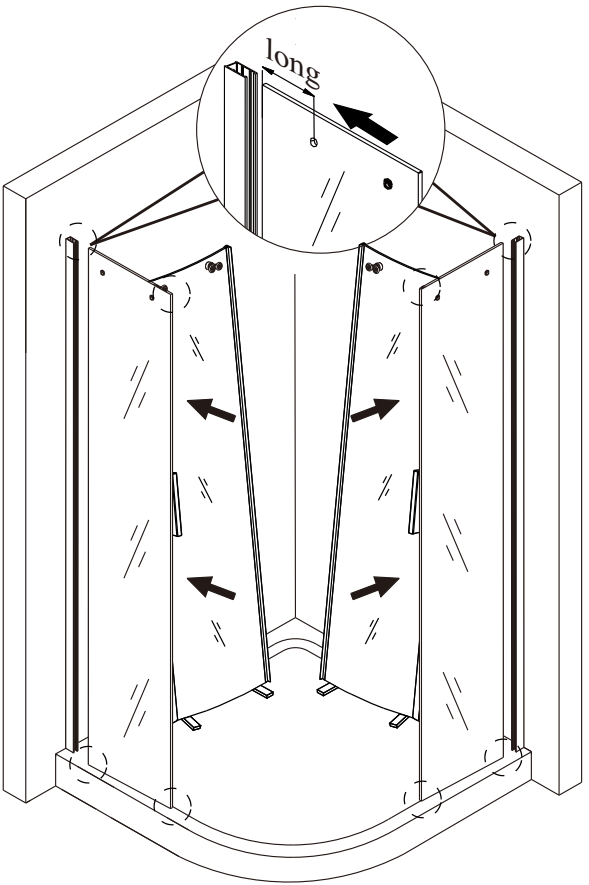


4

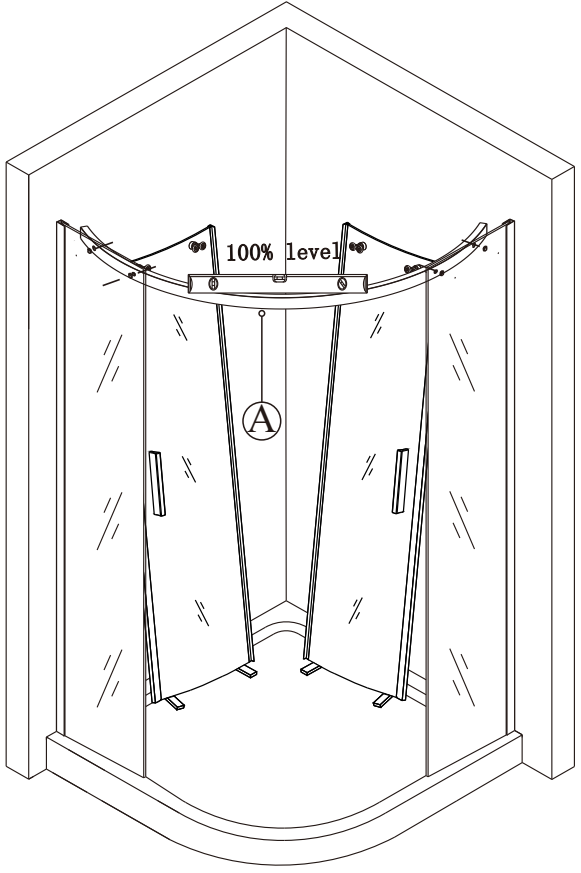


(4)

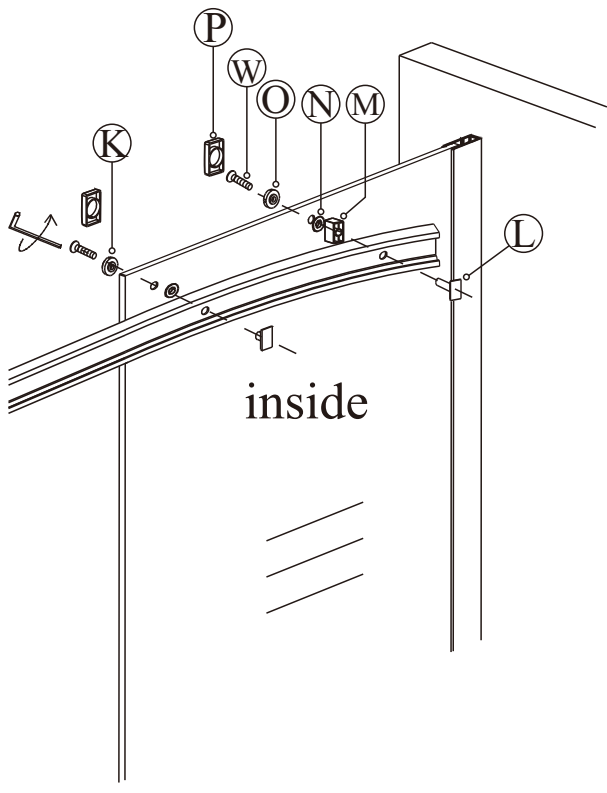
5



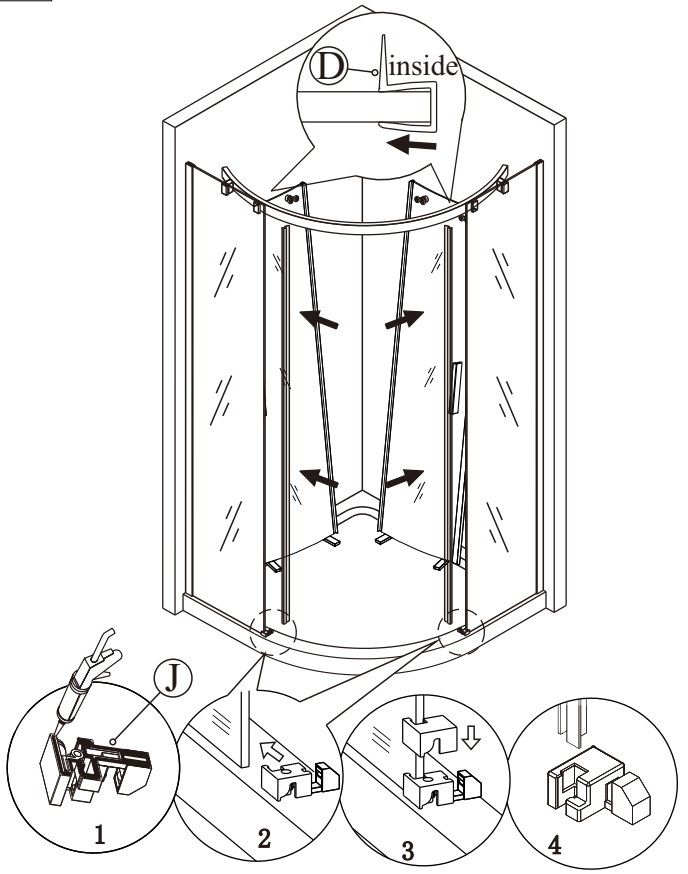
6



7

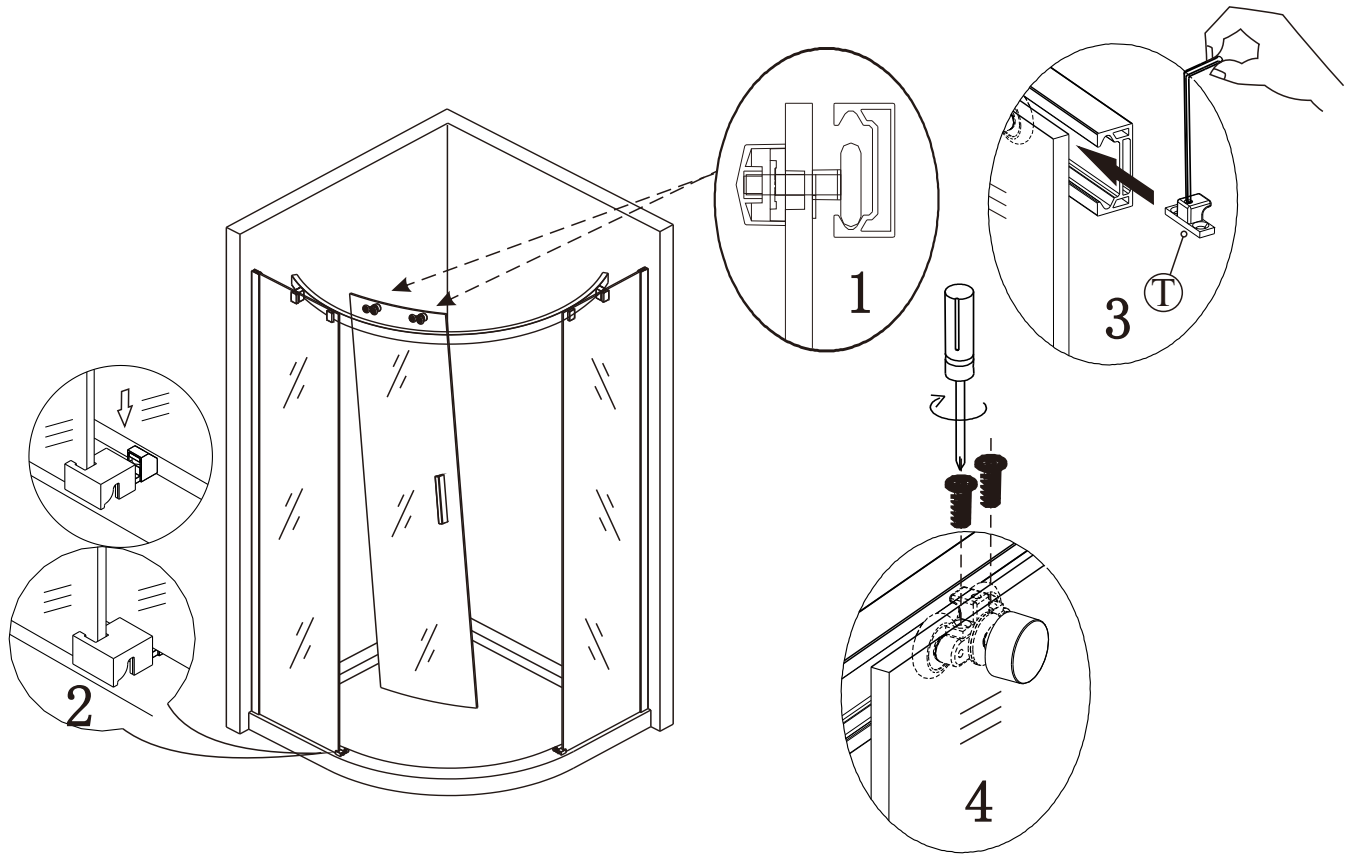


8

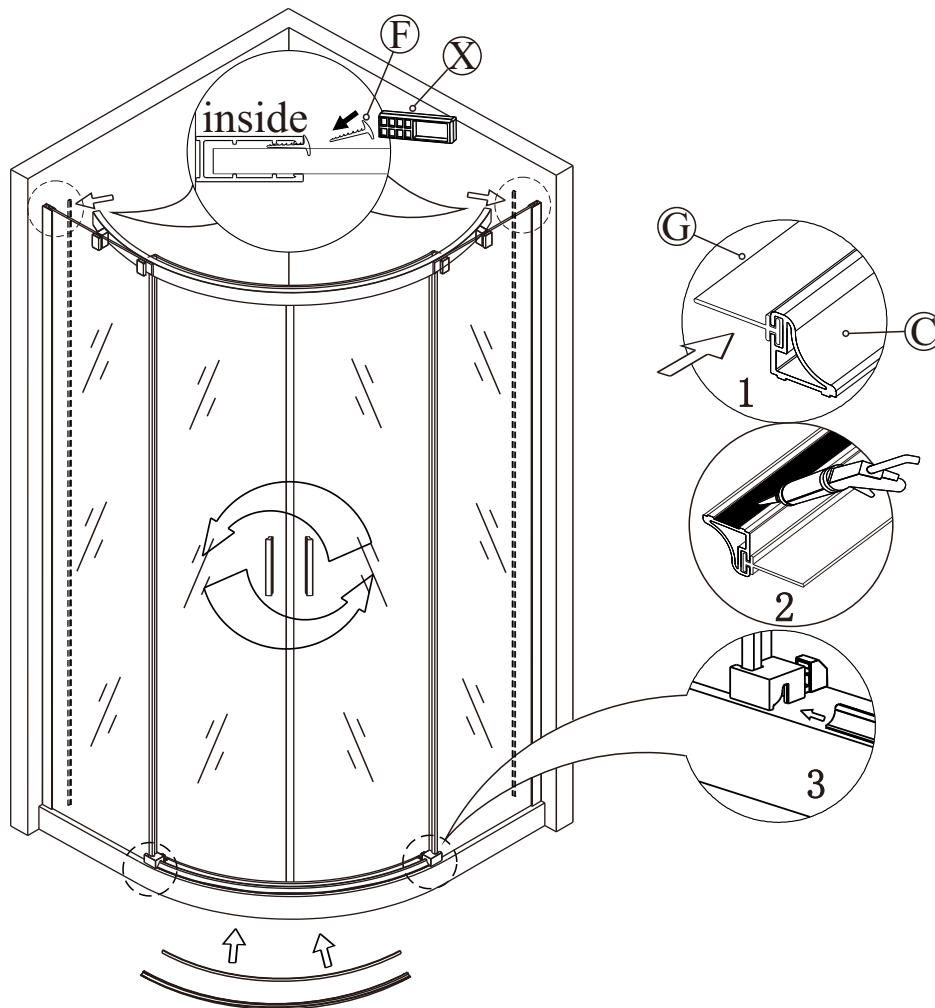


(5)

9

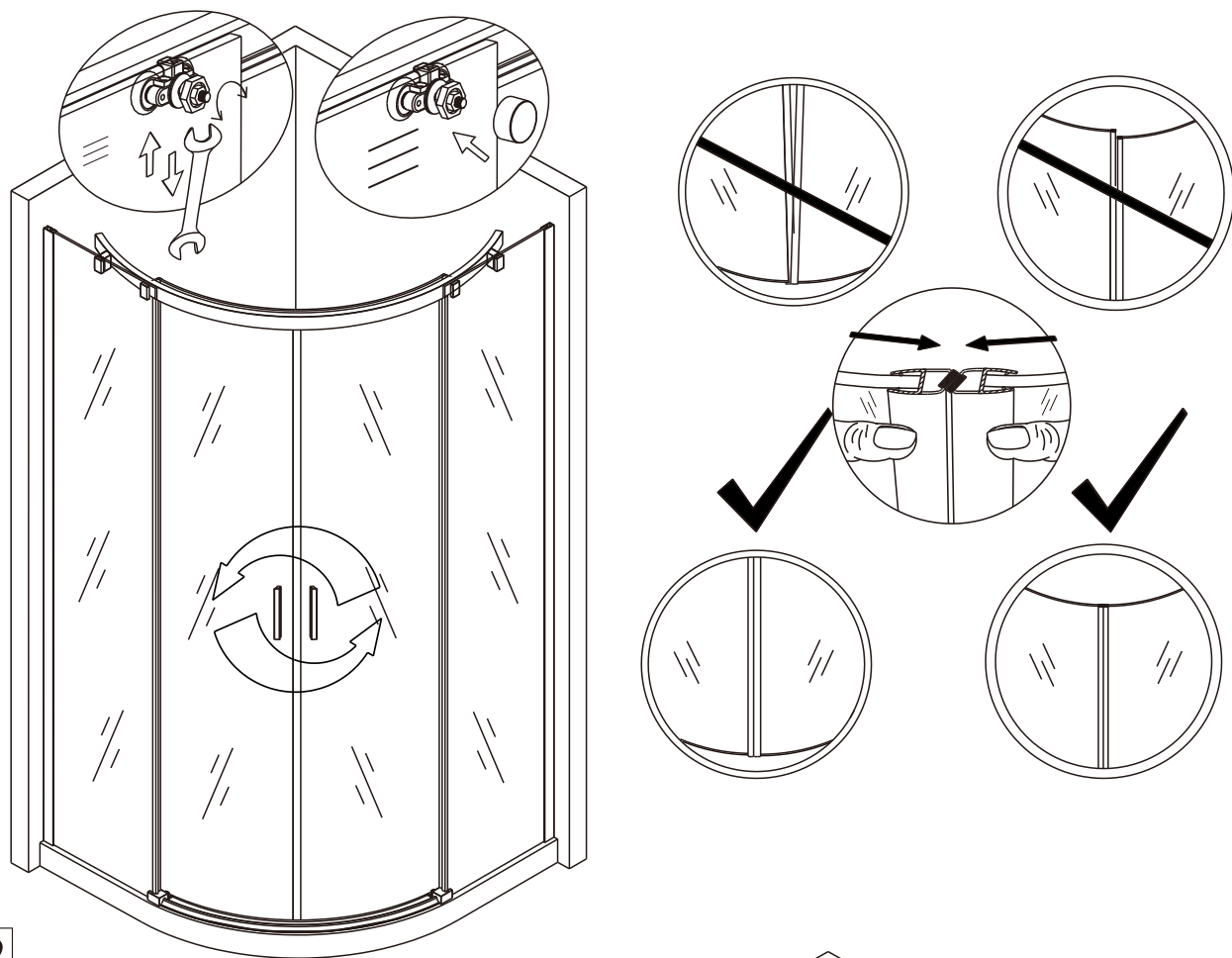


10

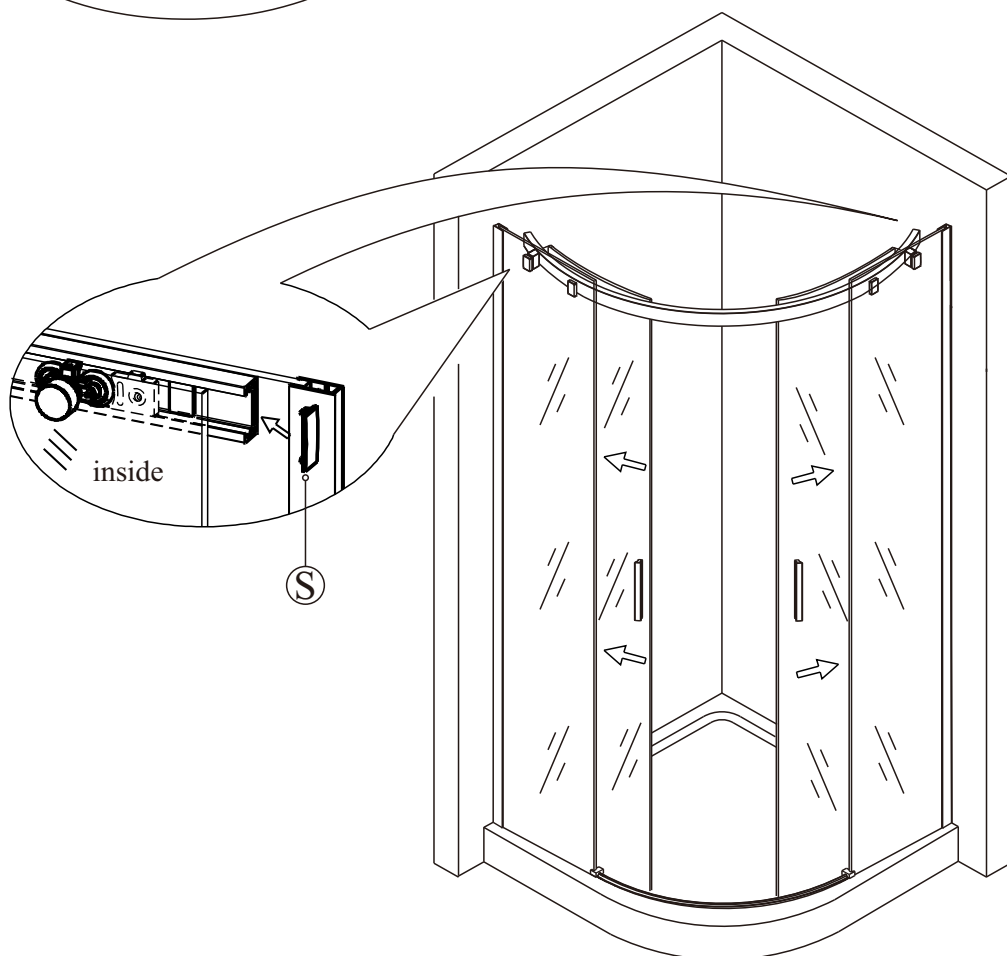


(6)

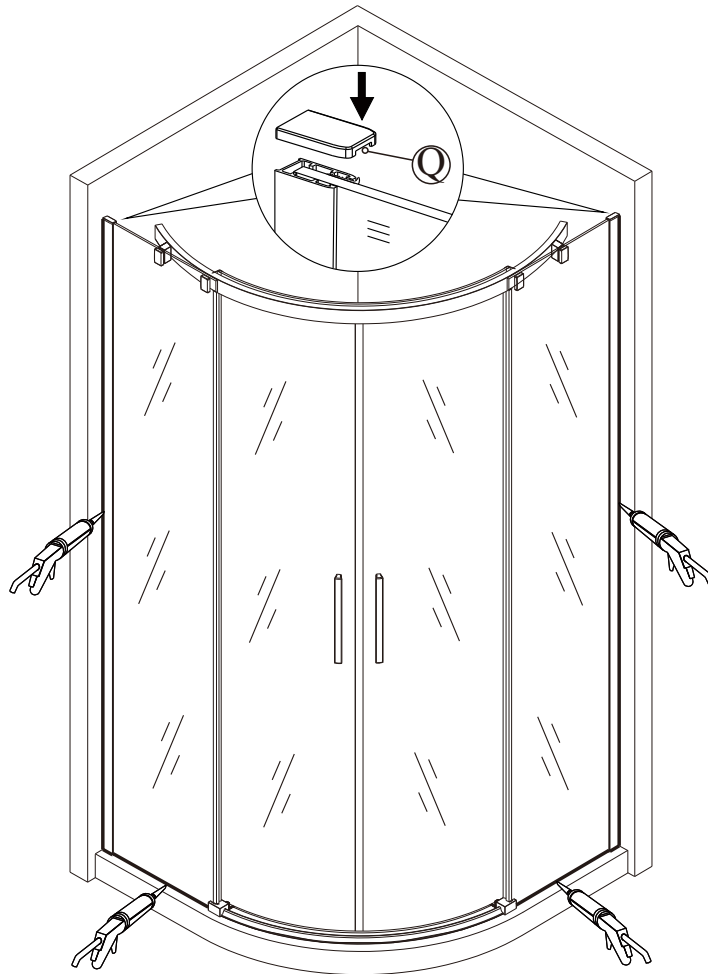
11



12



(7)



Apply some silicone on the outside edge of the shower enclosure (between the wall profiles and wall and between the frame and the tray) to enhance waterproof. After installation, it needs 24hours for silicone to dry before being put into use.

Cleaning & Maintenance

Clean the small components regularly.

Do not clean the shower enclosure with irritant detergent such as alcohol, acid or other chemical cleaners.

Should there be any dirty stains on the shower enclosure you may clean it with a soft cloth and toothpaste, you must then clean it with water afterwards.

After the installation is completed, if you find there is noise when the glass door moves, you may add a small quantity of lubricant onto the roller wheels, slipping hook and the track.